






Medical Shaver Systems

Morcellator



- Use with laser and mono/bipolar resectoscopes
- Two working modes: Suction, morcellating with simultaneous suction
- Overflow bottle with automatic anti-overflow function

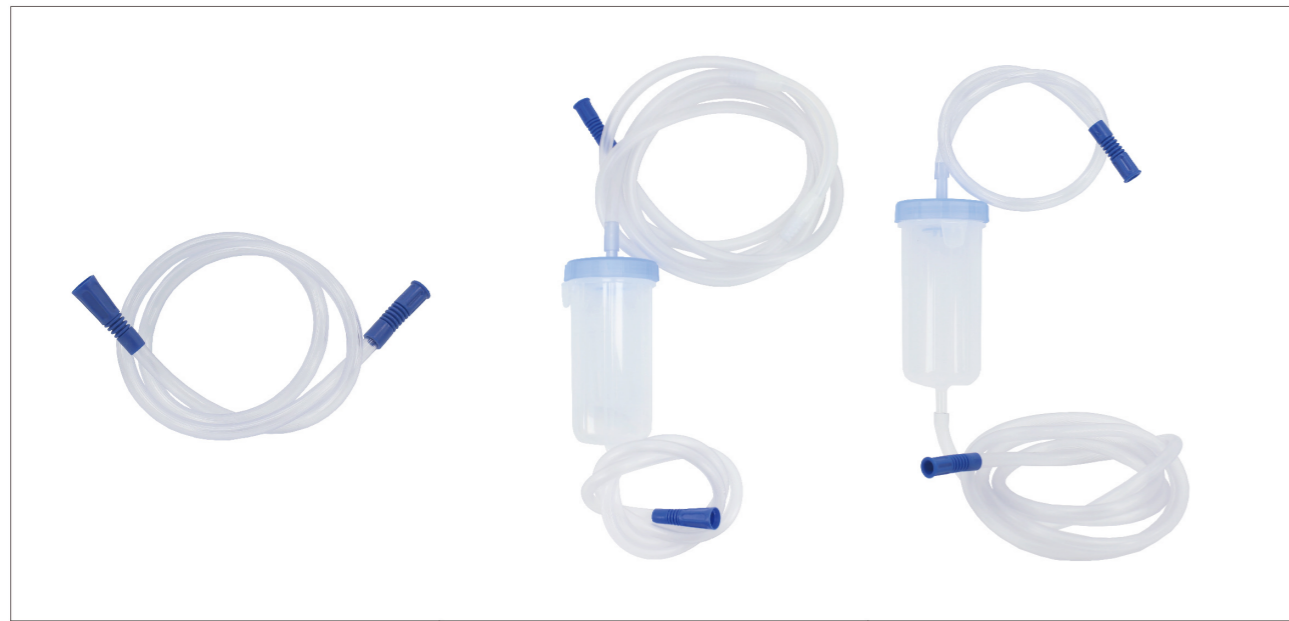
SHAVER SYSTEM

		<ul style="list-style-type: none"> □ Technical Data: <ul style="list-style-type: none"> - Powersupply: AC 100V - 120V 50/60 Hz or AC 200V - 240V 50/60 Hz - Power consumption: 100 VA - Maximum speed: 1200 r/min - Speed range: 10 steps □ Size: 400 mm x 120 mm x 360 mm (W x H x D) □ Weight: 12 kg 	
Control Unit		N5900EA	
		<ul style="list-style-type: none"> □ Features: <ul style="list-style-type: none"> - Brushless motor - Waterproof - Quick release lock - Autoclavable □ Technical Data: <ul style="list-style-type: none"> - Power of motor: 24 Watt 	
Hand Piece		N5901-2	
	<ul style="list-style-type: none"> □ Features: <ul style="list-style-type: none"> - Waterproof - Speed adjustment 		<ul style="list-style-type: none"> □ Features: <ul style="list-style-type: none"> - Waterproof
Footswitch	N5921	Footswitch	P7054A
			
Blade Ø 4.5 mm x 400 mm		N5912	

SHAVER SYSTEM



Suction Liner System	P10100242
Suction Liner	P10090342

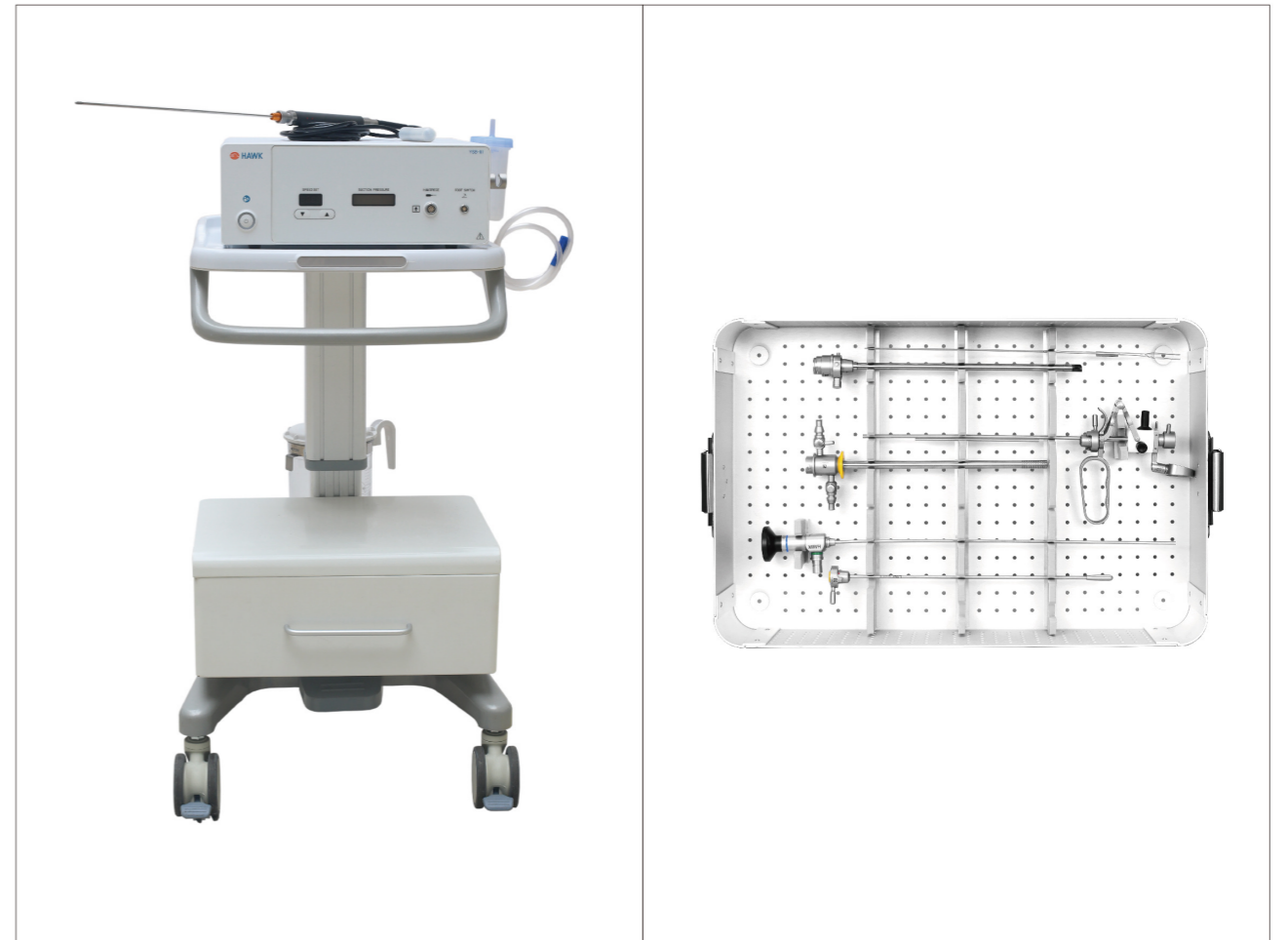


P10020102	P10020202	P10020212
Disposable Suction Connecting Tube (10pcs)	Disposable Suction Connecting Tube 300ml (10pcs)	Disposable Suction Connecting Tube 500ml (10pcs)

SHAVER SYSTEM



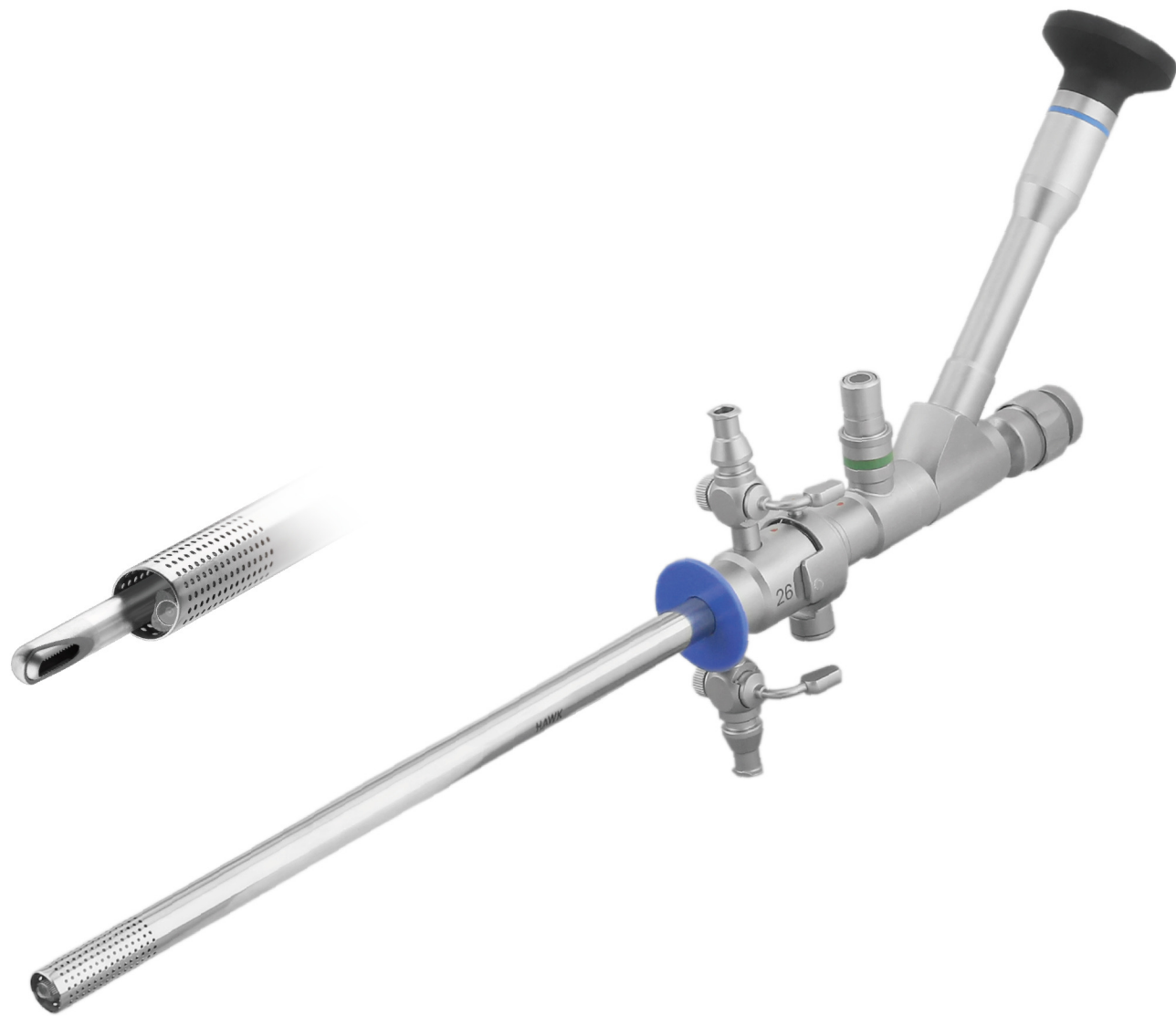
Overflow Bottle	N5920D
------------------------	---------------



Compact Trolley	P1208	Sterilization Tray	P9690B
------------------------	--------------	---------------------------	---------------

Cysto - Uretheroscopes 26 Fr.

Morcellation

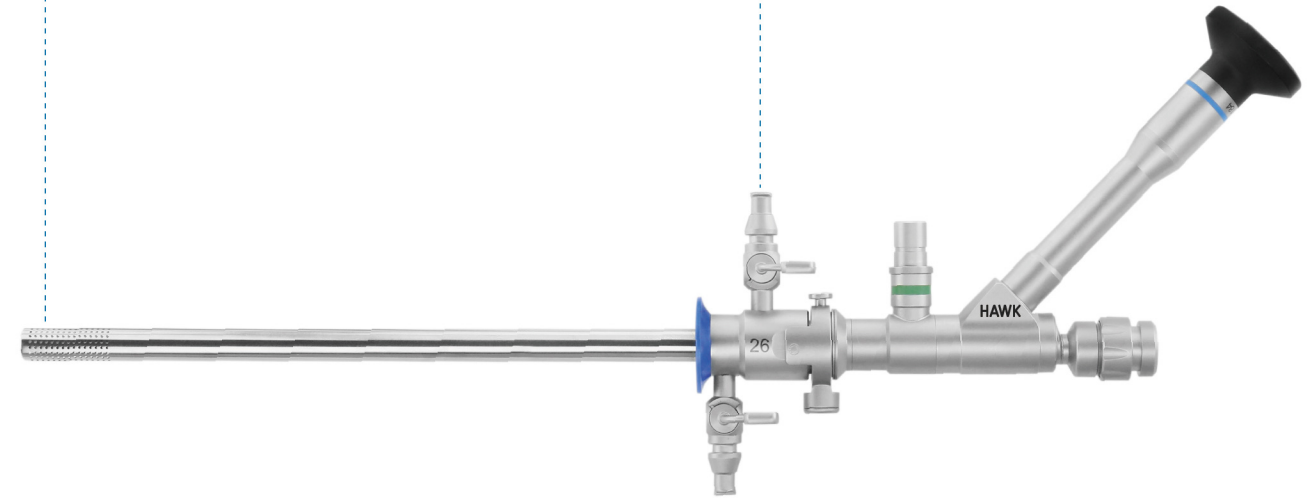


OUTER SHEATH 26 Fr.

The outer sheath is firm and rounded

IRRIGATION

Continuous high irrigation performance
Optimized irrigation stopcocks

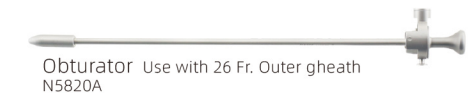


SYSTEM ELEMENTS

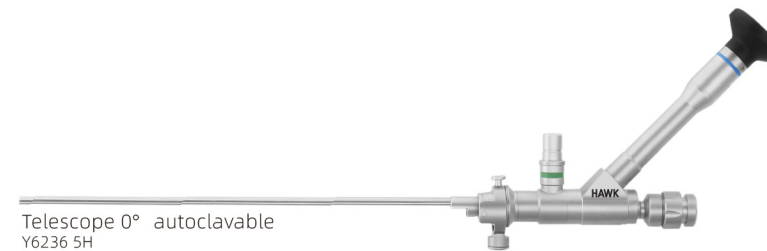
Easy joining and separating of system elements



Outer Sheath 26 Fr.
N5810B-1



Obturator Use with 26 Fr. Outer sheath
N5820A



Telescope 0° autoclavable
Y6236 5H



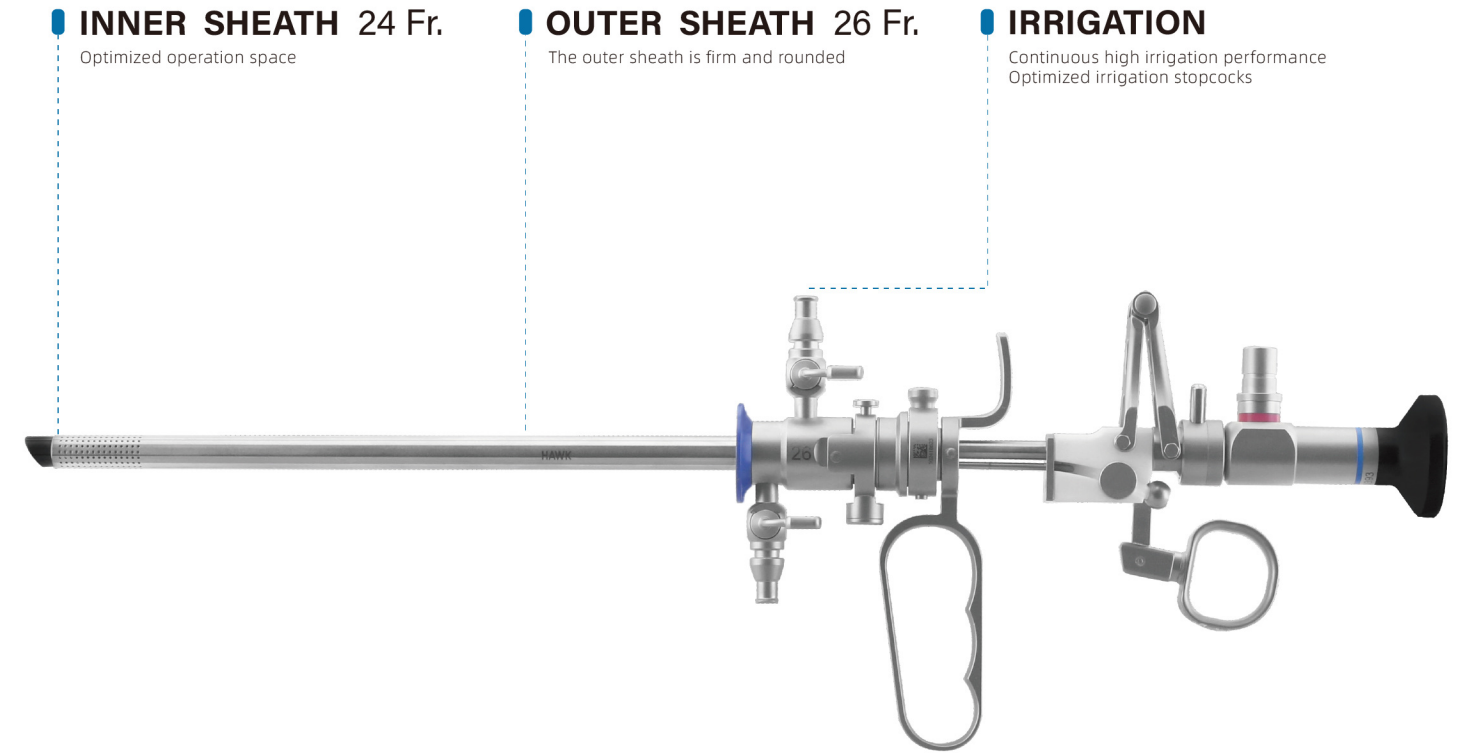
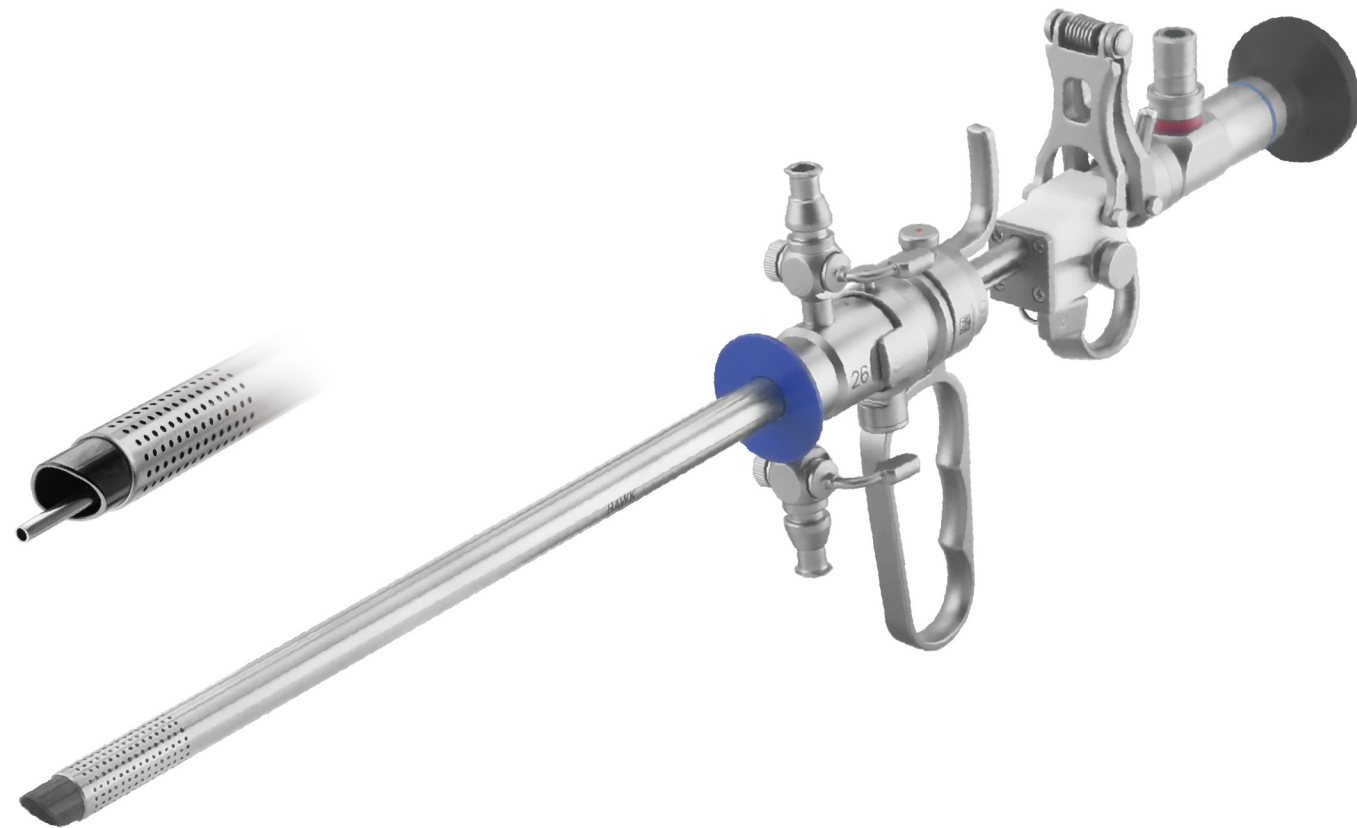
Sealing cap
P9703D



Valve
P9704C

Cysto - Uretheroscopes 26 Fr.

Enucleation



INNER SHEATH 24 Fr.

Optimized operation space

OUTER SHEATH 26 Fr.

The outer sheath is firm and rounded

IRRIGATION

Continuous high irrigation performance
Optimized irrigation stopcocks

SYSTEM ELEMENTS

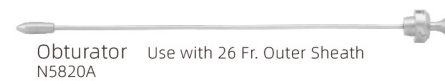
Easy joining and separating of system elements



Outer Sheath 26 Fr.
N5810B-1



Inner Sheath 24 Fr.
N5815-2



Obturator Use with 26 Fr. Outer Sheath
N5820A



Obturator Use with 24 Fr. Inner Sheath
N5821A



Telescope 25° Ø 4 x 302 mm, autoclavable
TH3315



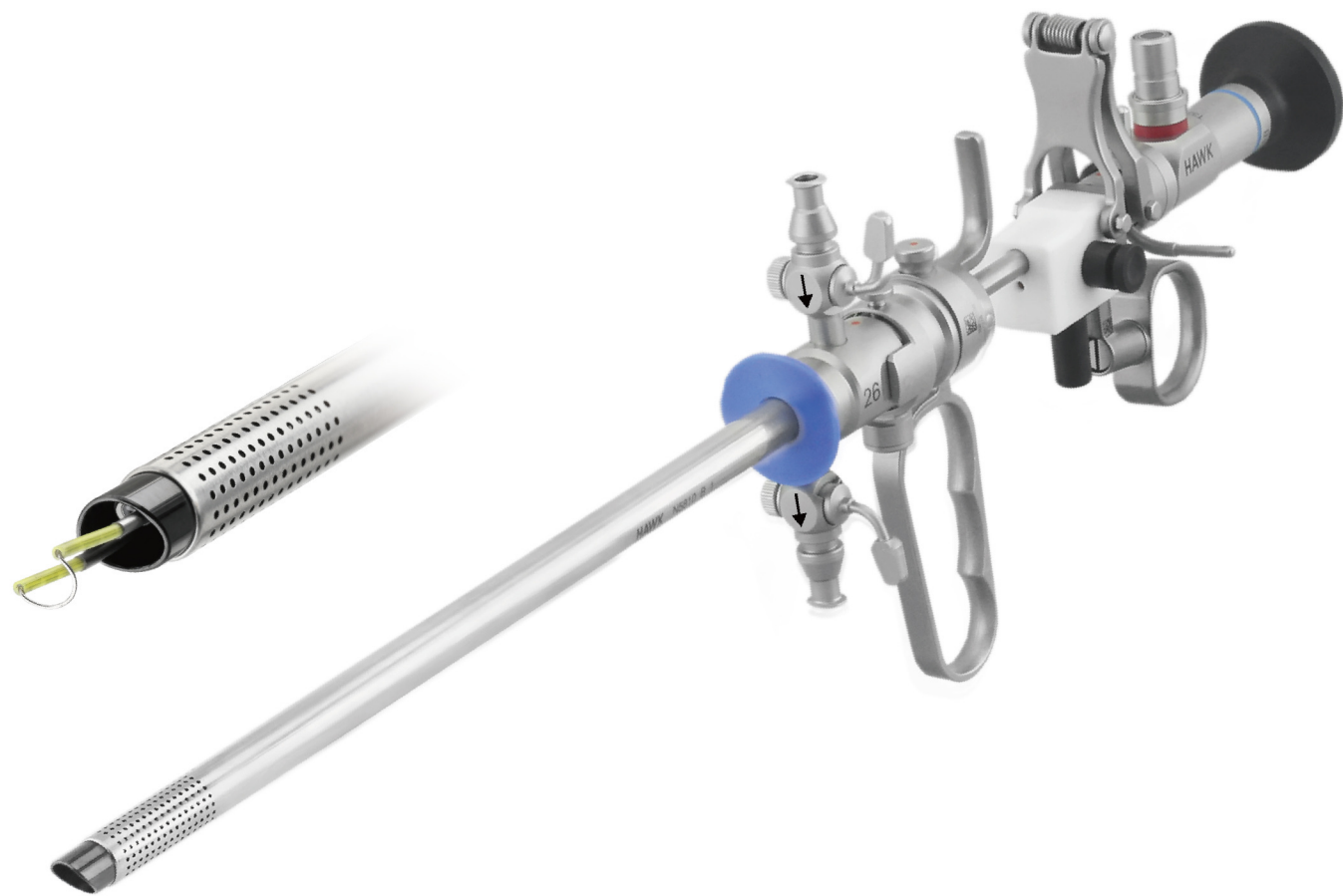
Working element passive
550 µm / 700 µm / 1000 µm
N5800B-7 / N5800B-5 / N5800B-6



Irrigation part 2 stopcocks
N4200-1

Resectoscopes 26 Fr.

Monopolar / Bipolar



INNER SHEATH 24 Fr.

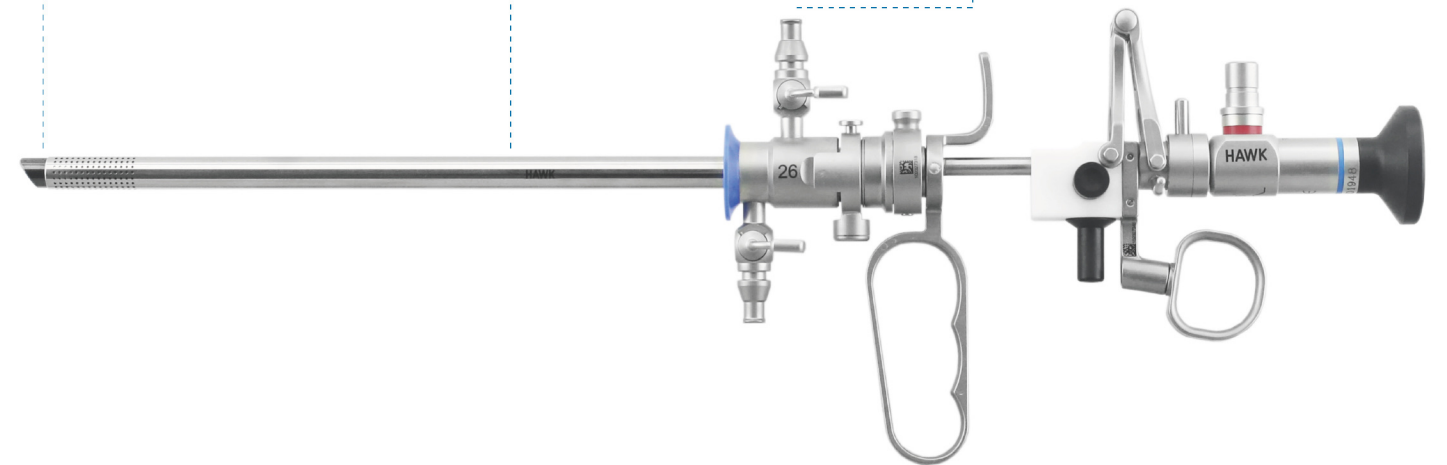
Optimized operation space

OUTER SHEATH 26 Fr.

The outer sheath is firm and rounded

IRRIGATION

Continuous high irrigation performance
Optimized irrigation stopcocks



SYSTEM ELEMENTS

Easy joining and separating of system elements



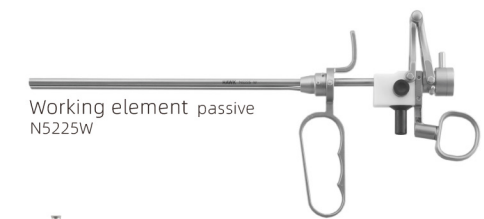
Outer Sheath 26 Fr.
N5810B-1



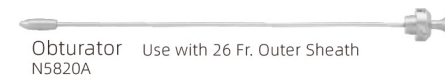
Telescope 25° Ø 4 x 302 mm, autoclavable
TH3315



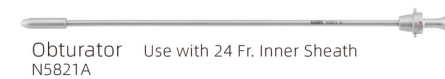
Inner Sheath 24 Fr.
N5815-2



Working element passive
N5225W



Obturator Use with 26 Fr. Outer Sheath
N5820A



Obturator Use with 24 Fr. Inner Sheath
N5821A



Irrigation part 2 stopcocks
N4200-1

PLASMA RESECTION



Cutting electrode
N6110 3

Cysto-Urethrosopes 24 Fr.

Morcellation

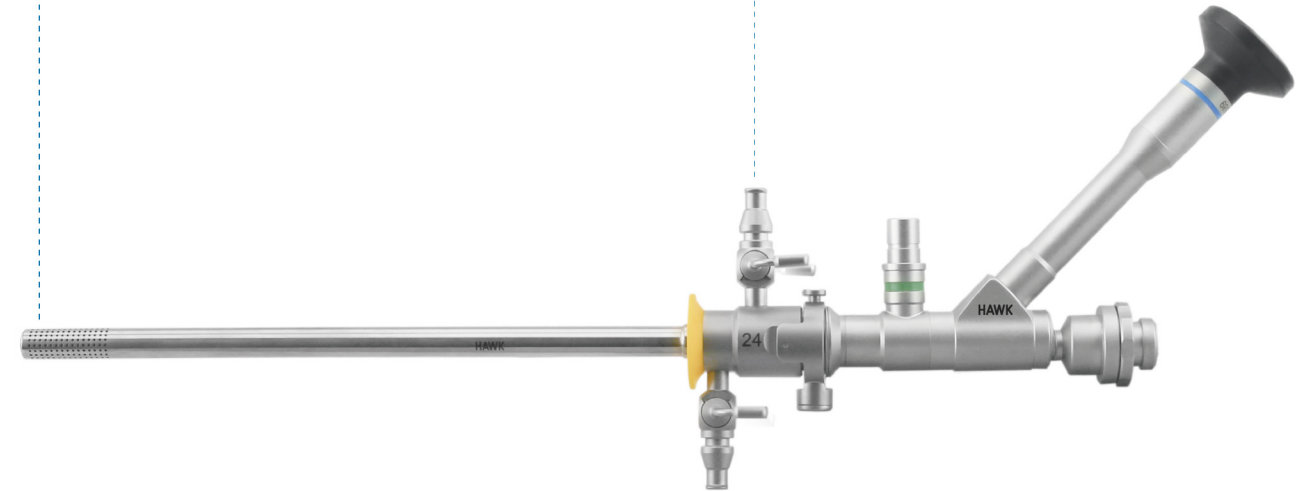


OUTER SHEATH 24 Fr.

Smaller outer diameter
Reduced delation - increased patient comfort

IRRIGATION

Continuous high irrigation performance
Optimized irrigation stopcocks

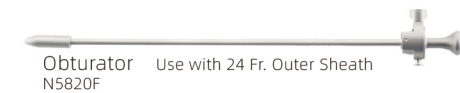


SYSTEM ELEMENTS

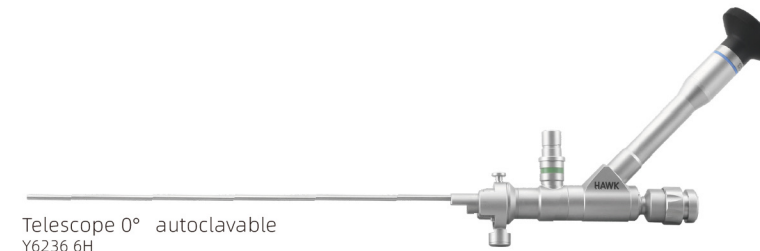
Easy joining and separating of system elements



Outer Sheath 24 Fr.
N5810 H



Obturator Use with 24 Fr. Outer Sheath
N5820F



Telescope 0° autoclavable
Y6236 6H



Sealing cap
P9703D



Valve
P9704C

Cysto - Uretheroscopes 24 Fr.

Enucleation



INNER SHEATH 22 Fr.

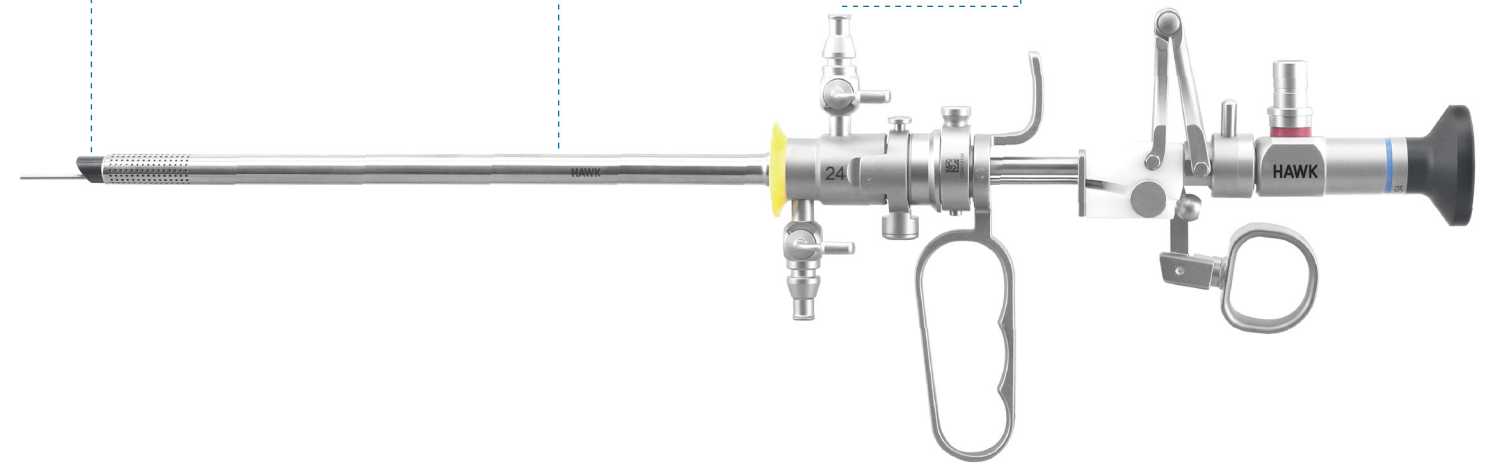
Optimized operation space

OUTER SHEATH 24 Fr.

Smaller outer diameter
Reduced delation - increased patient comfort

IRRIGATION

Continuous high irrigation performance
Optimized irrigation stopcocks



SYSTEM ELEMENTS

Easy joining and separating of system elements



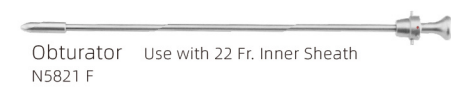
Outer Sheath 24 Fr.
N5810 H



Inner Sheath 22 Fr.
N5815 H



Obturator Use with 24 Fr. Outer Sheath
N5820F



Obturator Use with 22 Fr. Inner Sheath
N5821 F



Telescope 25° Ø 4 x 302 mm, autoclavable
TH3315



Working element passive
550 µm / 700 µm / 1000 µm
N5800 F-1 / N5800 F / N5800 F-2



Irrigation part 2 stopcocks
N4200-1

Resectoscopes 24 Fr.

Monopolar / Bipolar



INNER SHEATH 22 Fr.

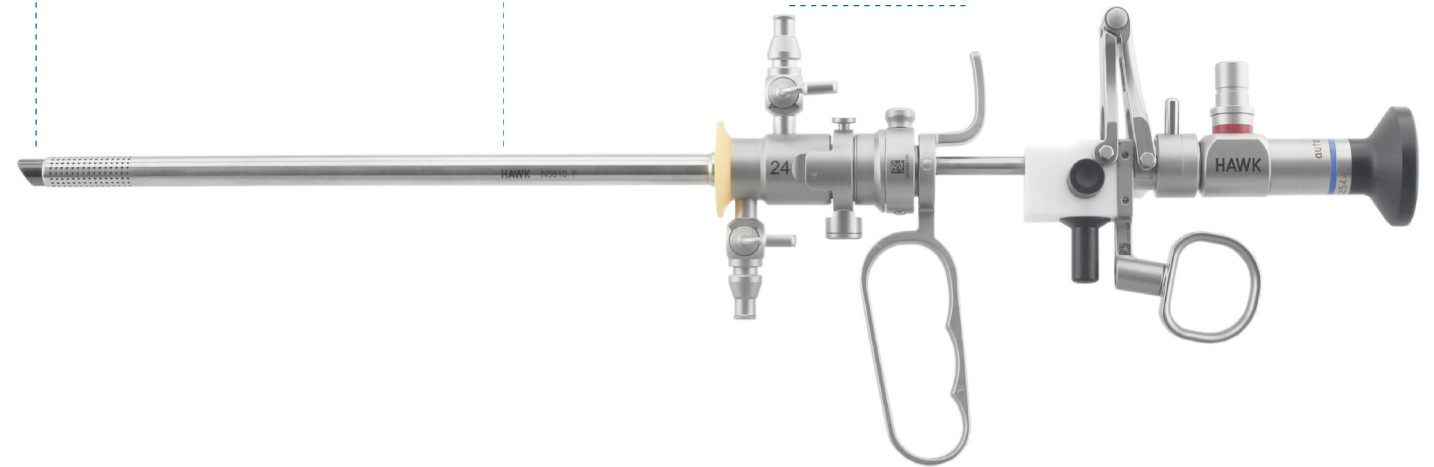
Optimized operation space

OUTER SHEATH 24 Fr.

Smaller outer diameter
Reduced delation - increased patient comfort

IRRIGATION

Continuous high irrigation performance
Optimized irrigation stopcocks



SYSTEM ELEMENTS

Easy joining and separating of system elements



Outer Sheath 24 Fr.
N5810 H



Inner Sheath 22 Fr.
N5815 H



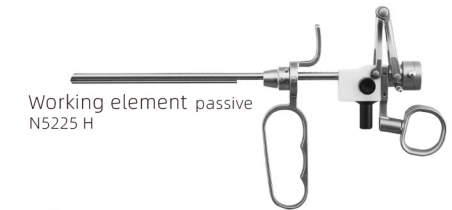
Obturator N5820F Use with 24 Fr. Outer Sheath



Obturator N5821 F Use with 22 Fr. Inner Sheath



Telescope 25° Ø 4 x 302 mm, autoclavable
TH3315



Working element passive
N5225 H

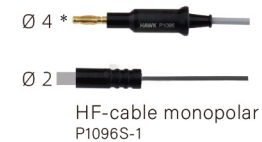


Irrigation part 2 stopcocks
N4200-1

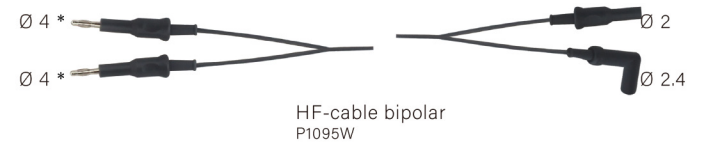
PLASMA RESECTION



Cutting electrode
N6110 H-3



HF-cable monopolar
P1096S-1



HF-cable bipolar
P1095W

*HF - Device

Cysto - Uretheroscopes 22 Fr.

Morcellation

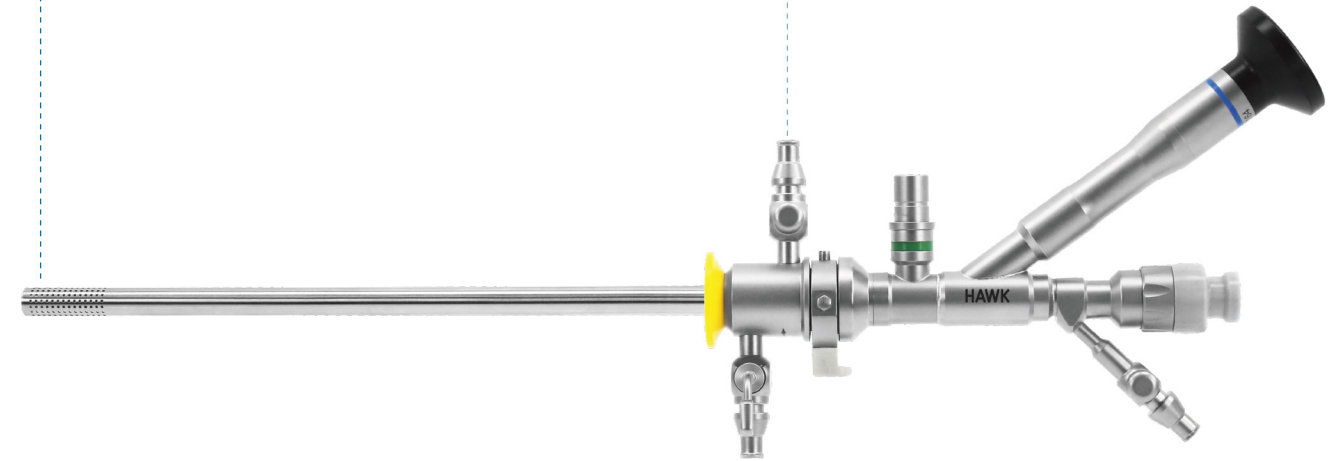


OUTER SHEATH 22 Fr.

Smaller outer diameter
Reduced delation - increased patient comfort

IRRIGATION

Continuous high irrigation performance
Optimized irrigation stopcocks

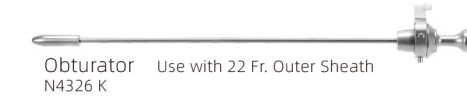


SYSTEM ELEMENTS

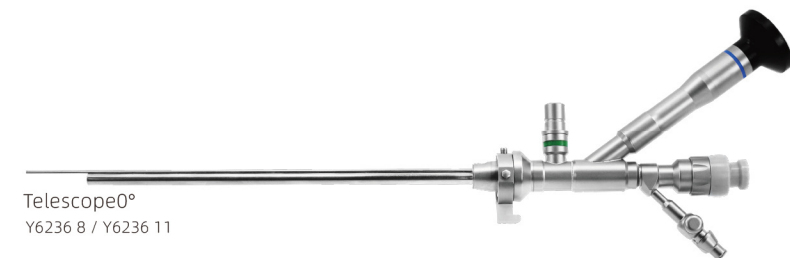
Easy joining and separating of system elements



Outer Sheath 22 Fr.
N4226 K



Obturator Use with 22 Fr. Outer Sheath
N4326 K



Telescope0°
Y6236 B / Y6236 11



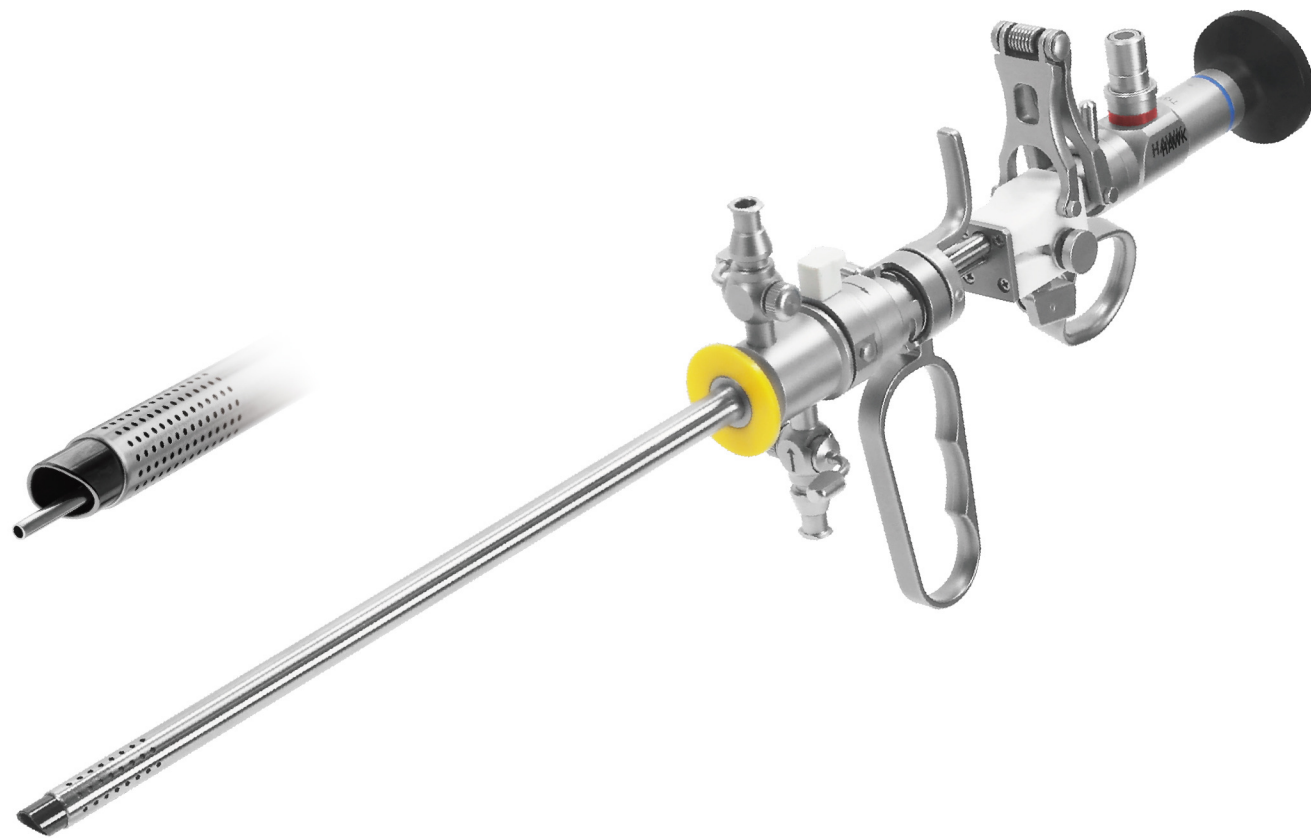
Sealing cap
P9703D



Valve
P9704C

Cysto - Uretheroscopes 22 Fr.

Enucleation



INNER SHEATH 19 Fr.

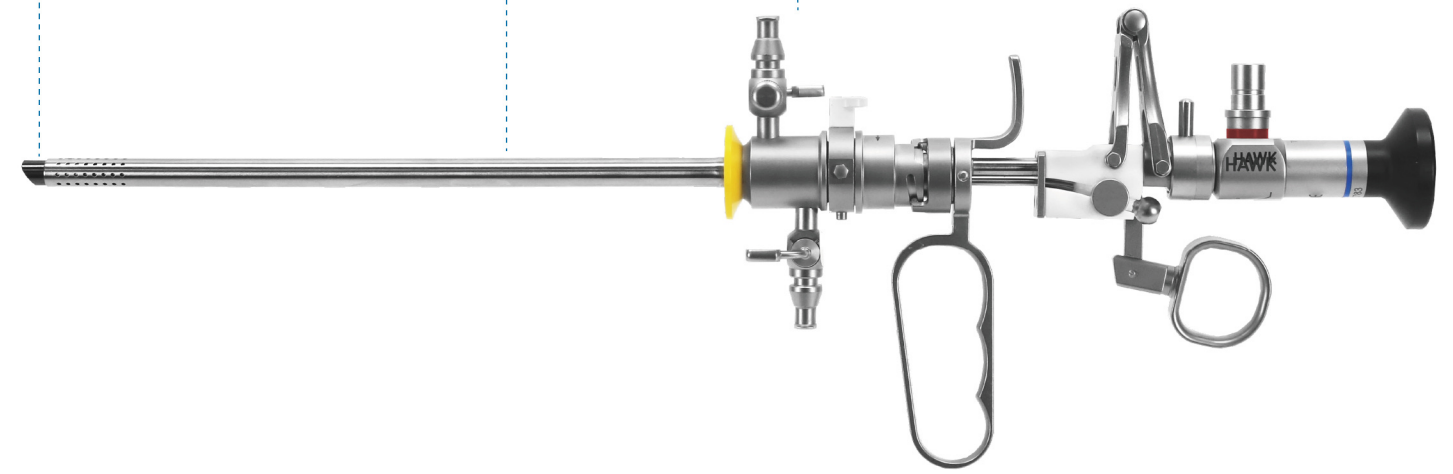
Optimized operation space

OUTER SHEATH 22 Fr.

Smaller outer diameter
Reduced delation - increased patient comfort

IRRIGATION

Continuous high irrigation performance
Optimized irrigation stopcocks



SYSTEM ELEMENTS

Easy joining and separating of system elements



Outer Sheath 22 Fr.
N4226 K

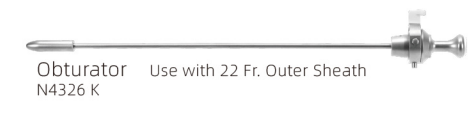


Inner Sheath 19 Fr.
N4224 K



Telescope 25°
with sapphire cover glass, Ø 2.9 x 303 mm
T1315

Telescope 25°
with sapphire cover glass, Ø 2.9 x 303 mm, autoclavable
TH1315



Obturator N4326 K
Use with 22 Fr. Outer Sheath



Obturator N4324 K
Use with 19 Fr. Inner Sheath



Working element passive
550 µm / 750 µm
N5800 K-1 / N5800 K

Resectoscopes 22 Fr.

Monopolar / Bipolar



INNER SHEATH 19 Fr.

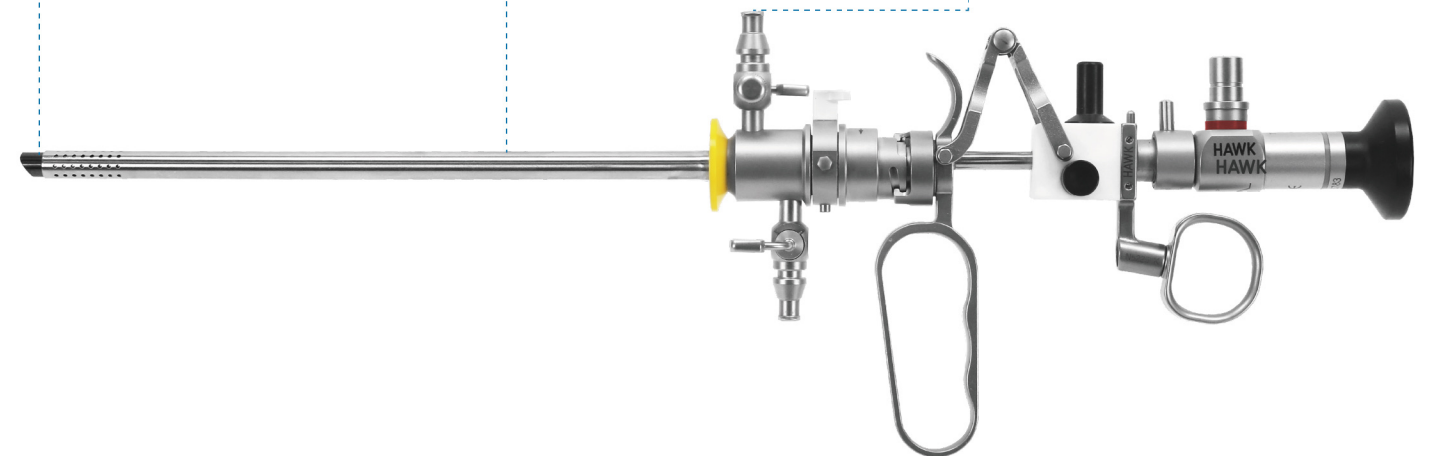
Optimized operation space

OUTER SHEATH 22 Fr.

Smaller outer diameter
Reduced delation - increased patient comfort

IRRIGATION

Continuous high irrigation performance
Optimized irrigation stopcocks



SYSTEM ELEMENTS

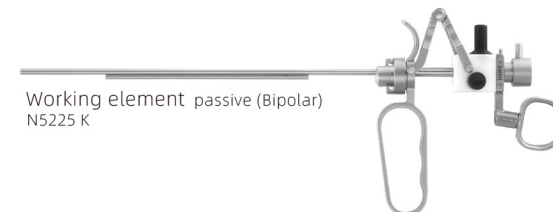
Easy joining and separating of system elements



Outer sheath 22 Fr.
N4226 K



Inner sheath 19 Fr.
N4224 K



Working element passive (Bipolar)
N5225 K



Telescope 25°
with sapphire cover glass, Ø 2.9 x 303 mm
T1315



Telescope 25°
with sapphire cover glass, Ø 2.9 x 303 mm, autoclavable
TH1315



Obturator Use with 22 Fr. Outer Sheath
N4326 K



Obturator Use with 19 Fr. Inner Sheath
N4324 K



Working element passive (Monopolar)
N5210 K

PLASMA RESECTION SYSTEM



Cutting electrode
use with P1096WA-1
N6350K-3