



# UROLOGY GYNECOLOGY

# Uretero - Renoscopes



## URETERO - RENOSCOPES

### URETERO - RENOSCOPES



<b>Uretero-Renoscope</b> four-ways one instrument channel F6, for Ø 1.8 instruments	F8.5 - F13.3 x 425	<b>Y1430A 17</b>
<b>Uretero-Renoscope</b> four-ways one instrument channel F5.4, for Ø 1.5 instruments	F7.5 - F12.5 x 425	<b>Y1430B 17</b>
<b>Uretero-Renoscope</b> four-ways one instrument channel F4.2, for Ø 1.3 instruments	F6 - F11.3 x 425	<b>Y1430D 2</b>

<b>Uretero-Renoscope</b> four-ways one instrument channel F6, for Ø 1.8 instruments autoclavable	F8.5 - F13.3 x 425	<b>Y1430A 17H</b>
<b>Uretero-Renoscope</b> four-ways one instrument channel F5.4, for Ø 1.5 instruments autoclavable	F7.5 - F12.5 x 425	<b>Y1430B 17H</b>
<b>Uretero-Renoscope</b> four-ways one instrument channel F4.2, for Ø 1.3 instruments autoclavable	F6 - F11.3 x 425	<b>Y1430D 2H</b>

# Rigid Videoscopes



## RIGID VIDEOSCOPIES



Code No.	Distal Part	Working Length	Working Channel	Field of View	Instrument
DY1430B 2 DY1430D 1	F7.5 / F9 F6 / F7.5	430 mm	F6 F5	90°	Ø 1.6 mm Ø 1.1 mm



Code No.	Distal Part	Working Length	Working Channel	Field of View	Instrument
DY1430B DY1430D	F7.5 / F9 F6 / F7.5	430 mm	F6 F5	90°	Ø 1.6 mm Ø 1.1 mm

# Videoscope System



## VIDEOSCOPE SYSTEM



### Video Uretero - Renoscope HD

Model No.	Code No.	Insertion Part	Distal Part	Working Length	Working Channel	Field of View	Depth of Field
DPG - II	DR028670YP	Ø 2.8 mm	F7.5	670 mm	Ø 1.2 mm	110°	2-50 mm



### Video Cystoscopes HD

Model No.	Code No.	Insertion Part	Distal Part	Working Length	Working Channel	Field of View	Depth of Field
DPG - I	DR060380-1 H DR060380 11GE	Ø 5.7 mm Ø 4.4 mm	Ø 5.7 mm Ø 4.5 mm	380 mm	Ø 2.2 mm Ø 2.0 mm	110°	5-50 mm 5-50 mm

## VIDEOSCOPE SYSTEM

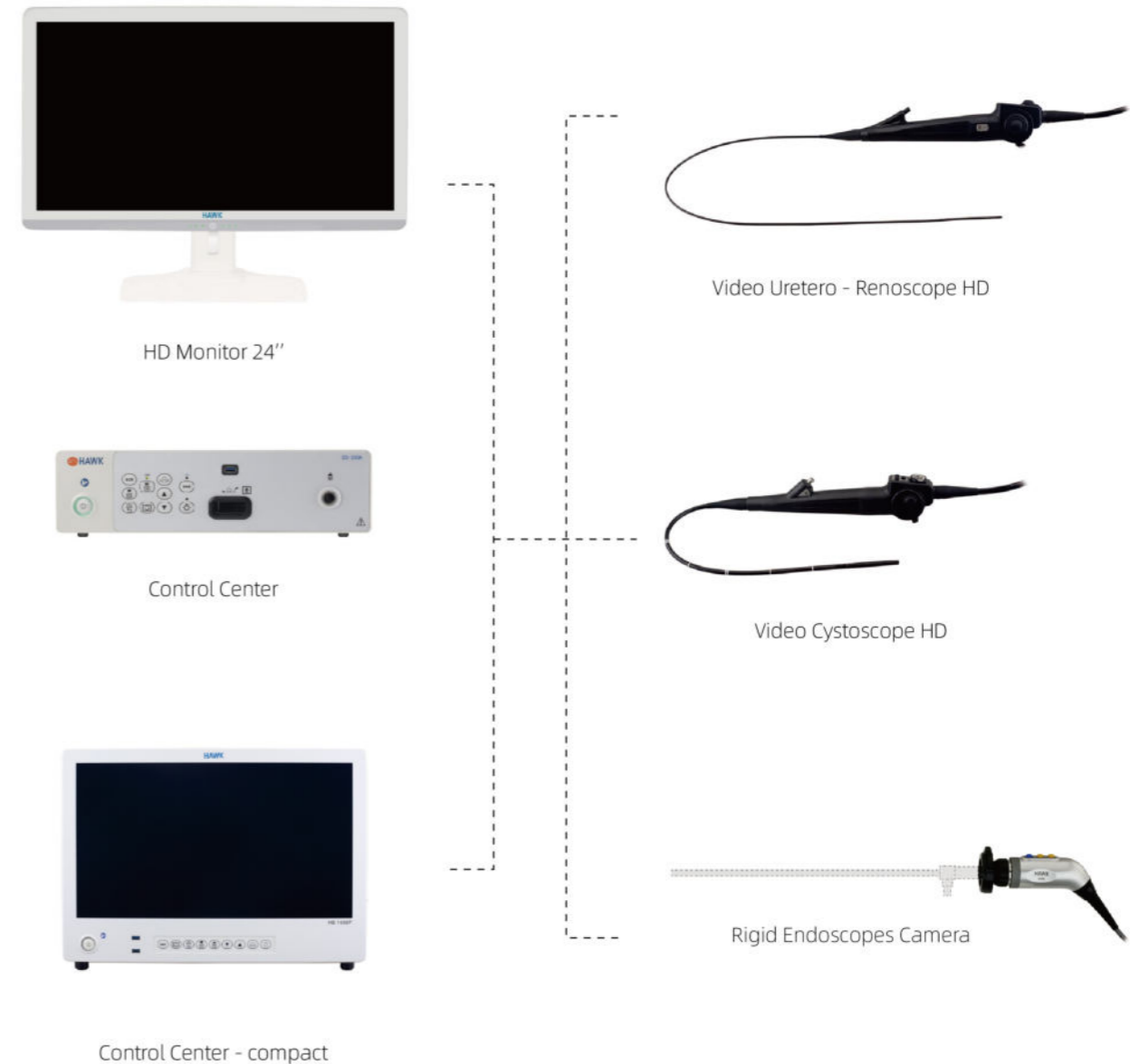
	<ul style="list-style-type: none"> <li><input type="checkbox"/> Usage:             <ul style="list-style-type: none"> <li>-Control platform for HD videoscopes or HD camera head for rigid endoscopes</li> </ul> </li> <li><input type="checkbox"/> Features:             <ul style="list-style-type: none"> <li>-Combined control unit, light source and monitor 21"</li> <li>-Stabilized voltage supply</li> <li>-BCR: Image enhancement to reduce blood color</li> </ul> </li> <li><input type="checkbox"/> Technical Data:             <ul style="list-style-type: none"> <li>-Power supply: AC 100V - 240V 50/60 Hz</li> <li>-21" LCD monitor</li> <li>-Format: 16 : 9</li> <li>-Resolution: 1920 x 1080</li> <li>-Brightness: 250 cd/m<sup>2</sup></li> <li>-Contrast ratio: 3000 : 1</li> <li>-Video output: HD - SDI, DVI - I</li> <li>-Power LED light source: 30 W</li> <li>-Color temperature: 5000 k - 6500 k</li> <li>-Life time of lamp: 10.000 h</li> </ul> </li> <li><input type="checkbox"/> Size: 526 mm x 370 mm x 120 mm (W x H x D)</li> <li>-Weight: 11 kg</li> </ul>
SD - 700A	
<b>Control Center compact - 21"</b>	<b>P6675EA 3</b>

	<ul style="list-style-type: none"> <li><input type="checkbox"/> Usage:             <ul style="list-style-type: none"> <li>-Control platform for HD videoscopes or HD camera head for rigid endoscopes</li> </ul> </li> <li><input type="checkbox"/> Features:             <ul style="list-style-type: none"> <li>-Combined control unit and light source</li> <li>-Stabilized voltage supply</li> <li>-BCR: Image enhancement to reduce blood color</li> <li>-BNB: Image enhancement of blood vessels and mucosa structure</li> </ul> </li> <li><input type="checkbox"/> Technical Data:             <ul style="list-style-type: none"> <li>-Powersupply: AC 100V - 240V 50/60 Hz</li> <li>-Power:150 W</li> <li>-Video output: DVI, HD - SDI, HDMI</li> <li>-Power LED light source: 60W</li> <li>-Color temperature: 5000k - 6500k</li> <li>-Life time of lamp: 10.000 h</li> </ul> </li> <li><input type="checkbox"/> Size: 400 mm x 112 mm x 412 mm (W x H x D)</li> <li>-Weight: 8 kg</li> </ul>
SD - 300A	
<b>Control Center</b>	<b>P6676EB</b>

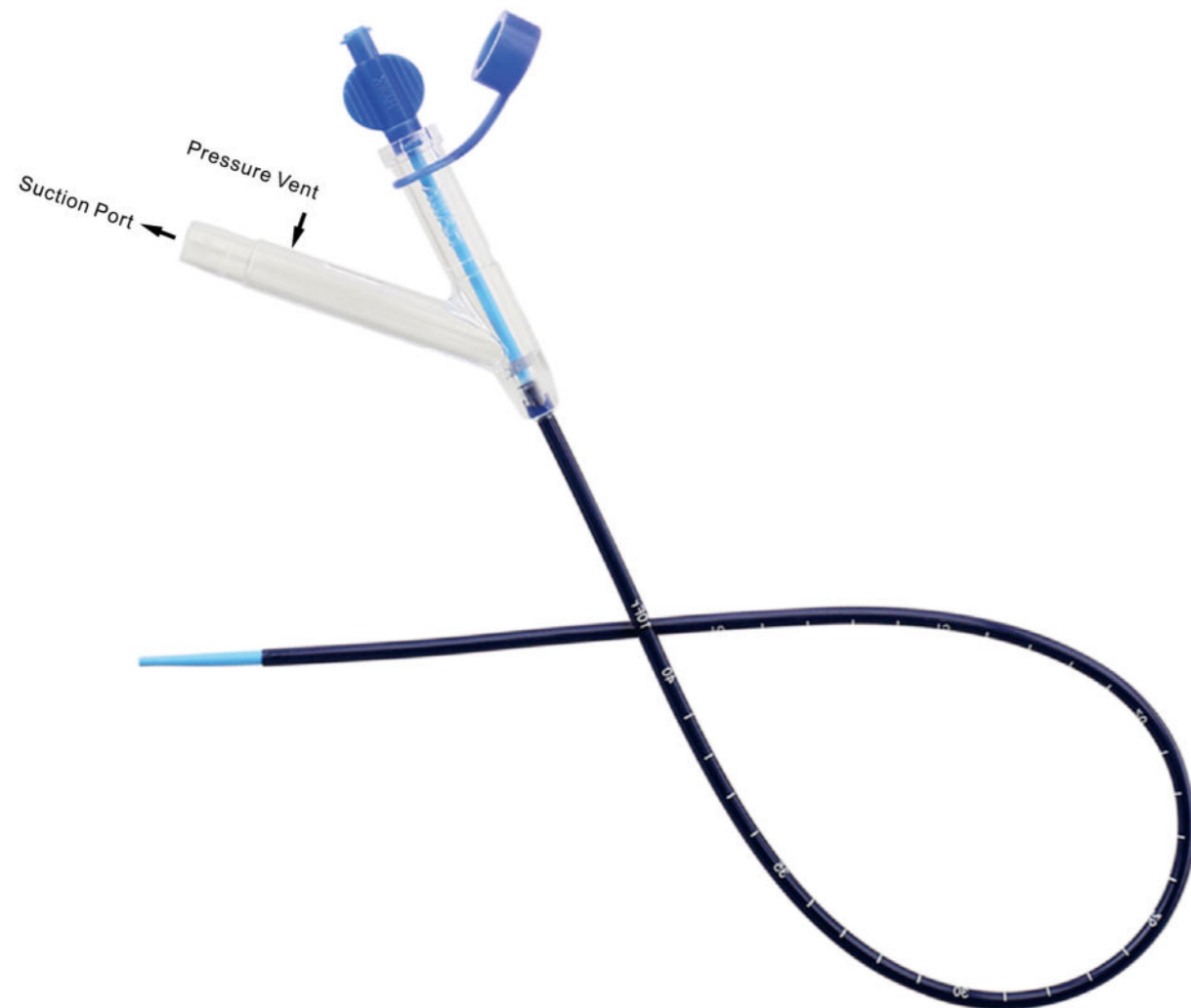
	<ul style="list-style-type: none"> <li><input type="checkbox"/> Usage:             <ul style="list-style-type: none"> <li>-Connecting rigid endoscopes to Control Centers HD</li> </ul> </li> <li>Functions:             <ul style="list-style-type: none"> <li>-Blood color remove</li> <li>-Photo</li> <li>-Recording</li> </ul> </li> </ul>
<b>HD Camera Head</b>	<b>P4332 2</b>

## VIDEOSCOPES SYSTEM

### SYSTEM CHART



# Disposable Access Sheath



- Low bending resistance, curved sheath-suitable for upper and middle calyces
- Can be direct connected to suction device
- Pressure vent to reduce intrarenal pressure
- Clear surgical field of view-high stone clearance vate
- Hydrophilic coating on sheath and dilator tip for ease of insertion

## DISPOSABLE ACCESS SHEATH



Not available Europe and USA

Sheath semi - flexible			
Inner/Outer	Length	Qty	Code No.
F10 / F12	130	10 pcs	<b>P10040202</b>
	260		<b>P10040212</b>
	360		<b>P10040222</b>
	400		<b>P10040232</b>
	460		<b>P10040242</b>
F12 / F14	130	10 pcs	<b>P10040252</b>
	260		<b>P10040262</b>
	360		<b>P10040272</b>
	400		<b>P10040282</b>
	460		<b>P10040292</b>
F14 / F16	130	10 pcs	<b>P100402102</b>
	260		<b>P100402112</b>
	360		<b>P100402122</b>
	400		<b>P100402132</b>
	460		<b>P100402132</b>

Sheath flexible			
Inner/Outer	Length	Qty	Code No.
F10 / F12	150	10 pcs	<b>P10040402</b>
	280		<b>P10040412</b>
	380		<b>P10040422</b>
	420		<b>P10040432</b>
	480		<b>P10040442</b>
F12 / F14	150	10 pcs	<b>P10040452</b>
	280		<b>P10040462</b>
	380		<b>P10040472</b>
	420		<b>P10040482</b>
	480		<b>P10040492</b>
F14 / F16	150	10 pcs	<b>P100404102</b>
	280		<b>P100404112</b>
	380		<b>P100404122</b>
	420		<b>P100404132</b>
	480		<b>P100404132</b>

<b>Collection Bottle</b> single - use	300 ml	10 pcs	<b>P10020302</b>
---------------------------------------	--------	--------	------------------

# Video Cystoscope with Disposable Cover Sheath



- Use without reprocessing
- Longer lifetime
- Reduced cost per procedure
- Lower infection risk

## VIDEO CYSTOSCOPE / DISPOSABLE STERILE SHEATH

<b>Video Cystoscope</b>	Ø 4 x 380	<b>DR 040380-2</b>
<b>Cover Sheath</b> 10 pc		<b>P10010103</b>

	<ul style="list-style-type: none"> <li>□ Usage: <ul style="list-style-type: none"> <li>- Control platform for videoscopes</li> </ul> </li> <li>□ Features: <ul style="list-style-type: none"> <li>- Combined control unit, light source and monitor 15" / 21"</li> <li>- Stabilized voltage supply</li> </ul> </li> <li>□ Functions: <ul style="list-style-type: none"> <li>- USB 3.0</li> <li>- White balance</li> <li>- Photo / Video</li> <li>- Brightness adjustment + / -</li> <li>- Light: On / Off</li> </ul> </li> <li>□ Technical Data: <ul style="list-style-type: none"> <li>- Power supply: AC 100 V - 240 V 50/60 Hz</li> <li>- 15" / 21" LCD monitor</li> <li>- Format: 16 : 9</li> <li>- Resolution: 1920 x 1080</li> <li>- Brightness: 250 cd/m<sup>2</sup></li> <li>- Contrast ratio: 3000 : 1</li> <li>- Video output: HDMI, DVI</li> <li>- Power LED light source: 30 W</li> <li>- Color temperature: 6000 k - 7500 k</li> <li>- Life time of lamp: 10.000 h</li> </ul> </li> <li>□ Size: 524 mm x 353 mm x 120 mm (W x H x D)</li> <li>□ Weight: 11 kg</li> </ul>
<b>Control Center</b> compact, round plug - 15"	<b>P6677E 11</b>
<b>Control Center</b> compact, round plug - 21"	<b>P6677E 4</b>

Dimensions in (mm)

# Multiple - Tract Mini - PCNL



- Three-tract mini-PCNL use one telescope to achieve superior stone clearance
- High efficiency for stone clearance and shorter operation time
- Treatment of complex renal calculi using laser, lithotripsy and ultrasonic

## MULTIPLE-TRACT MINI-PCNL

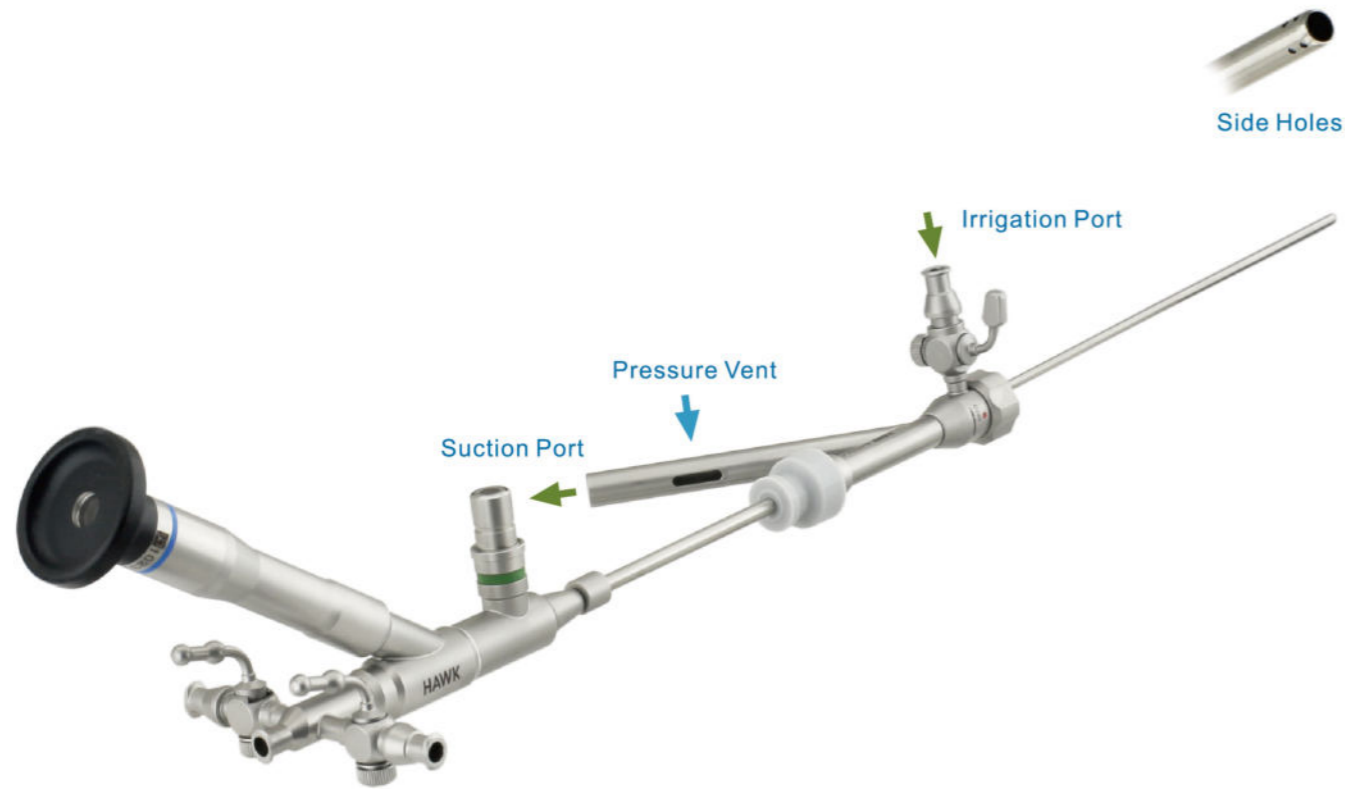
	<b>Telescope 0°</b>	F5.7 x 307	<b>Y5261 11</b>
	<b>Sheath</b> laser working channel Ø 1	F8 x 298	<b>N5391 11</b>
	<b>Sheath</b> lithotripsy working channel Ø 2	F12 x 298	<b>N4650 11</b>
	<b>Sheath</b> ultrasonic working channel Ø 3.7	F17 x 298	<b>N4651 11</b>
	<b>Protective Sheath</b> laser fiber use with N5391 11		<b>N5481 12</b>
	<b>Protective Sheath</b> laser fiber use with N4650 11 / N4651 11		<b>N5484 11</b>
	<b>Suction Sheath</b>		F14 x 180 <b>N4754-1</b>
			F18 x 180 <b>N4737-6</b>
	<b>Obturator</b>	use with N4754-1	<b>N4754B-1</b>
		use with N4737-6	<b>N4737B-6</b>
	<b>Collection Bottle</b>	100 ml	<b>N5881A</b>
	<b>Outer Sheath</b> use with N4651 11	Ø 8 x 180	<b>N5531</b>
	<b>Dilator</b>	F6 / F9 / F12 / F15 / F18 / F22	<b>N5530 1</b>

### SINGLE - USE DILATION - DRAINAGE SYSTEM

<b>Dilator-Drainage Set F14</b>	F14 x 180	12 pcs	<b>P10030102</b>
<b>Dilator-Drainage Set F18</b>	F18 x 180	12 pcs	<b>P10030202</b>
<b>Collection Bottle</b> Single use		300 ml	12 pcs <b>B10020302</b>

Dimensions in (mm)

# Super Mini PCNL - eSMP



- Smaller size to reduce blood loss
- High efficacy for stone clearance and shorter operation time
- Negative pressure - adjustable by unique pressure vent - to protect kidney from excessive pressure

## MINI - PCNL

### SMP (SUPER - MINI - PCNL)

- Features:
  - Calculus of kidney  $\leq 2.5$  cm
  - Calculus of kidney in children



working channel F3.3	<b>Telescope</b>		<b>YS261-5</b>
	<b>Telescope</b> autoclavable		<b>YS261 5H</b>
		F8 x 309	
		<b>Suction Sheath</b> Y - shape <b>N4730A-1</b>	
		F14 x 180	<b>N4754-1</b>
		F18 x 180	<b>N4737-6</b>
		use with N4754-1	<b>N4754B-1</b>
		use with N4737-6	<b>N4737B-6</b>

	<b>Collection Bottle</b>	<b>N5881A</b>
	<b>Fiber Clip</b>	<b>P8041A</b>
	<b>Sealing Cap</b>	<b>P9703D</b>








Dimensions in (mm)

### MINI - PCNL

eSMP (ENHANCED SUPER - MINI - PCNL)

- Feature:
  - Calculus of kidney > 2.5 cm






 <p>working channel F6</p>	<b>Telescope</b>	F11 x 331	<b>Y1340 5</b>
	<b>Telescope autoclavable</b>		<b>Y1340 5H</b>
	<b>Suction Sheath Y - shape</b>		<b>N4730A-1</b>
	<b>Suction Sheath</b>	F18 x 180	<b>N4737-6</b>
	<b>Obturator</b>		<b>N4737B-6</b>
	<b>Collection Bottle</b>		<b>N5881A</b>
	<b>Fiber Clip</b>		<b>P8041A</b>
	<b>Sealing Cap</b>		<b>P9703D</b>

### MINI - PCNL

SINGLE - USE DILATION - DRAINAGE SYSTEM



- Feature:
  - Ergonomic design with 6 internal ribs on the inner wall of the bottle prevents the filter from blocking the pipeline and facilitates the smooth flow of vacuum.

	<b>Dilation - Drainage Set F14</b> use with YS261-5, YS261 5H	F14 x 180	12pcs	<b>P10030102</b>
	<b>Dilation - Drainage Set F18</b> use with Y1340 5/ Y1340 5H/ YS261-5/ YS261 5H	F18 x 180	12pcs	<b>P10030202</b>
	<b>Collection Bottle</b> single-use	300 ml	12pcs	<b>B10020302</b>

Dimensions in (mm)





# Medical Shaver Systems

## Morcellator



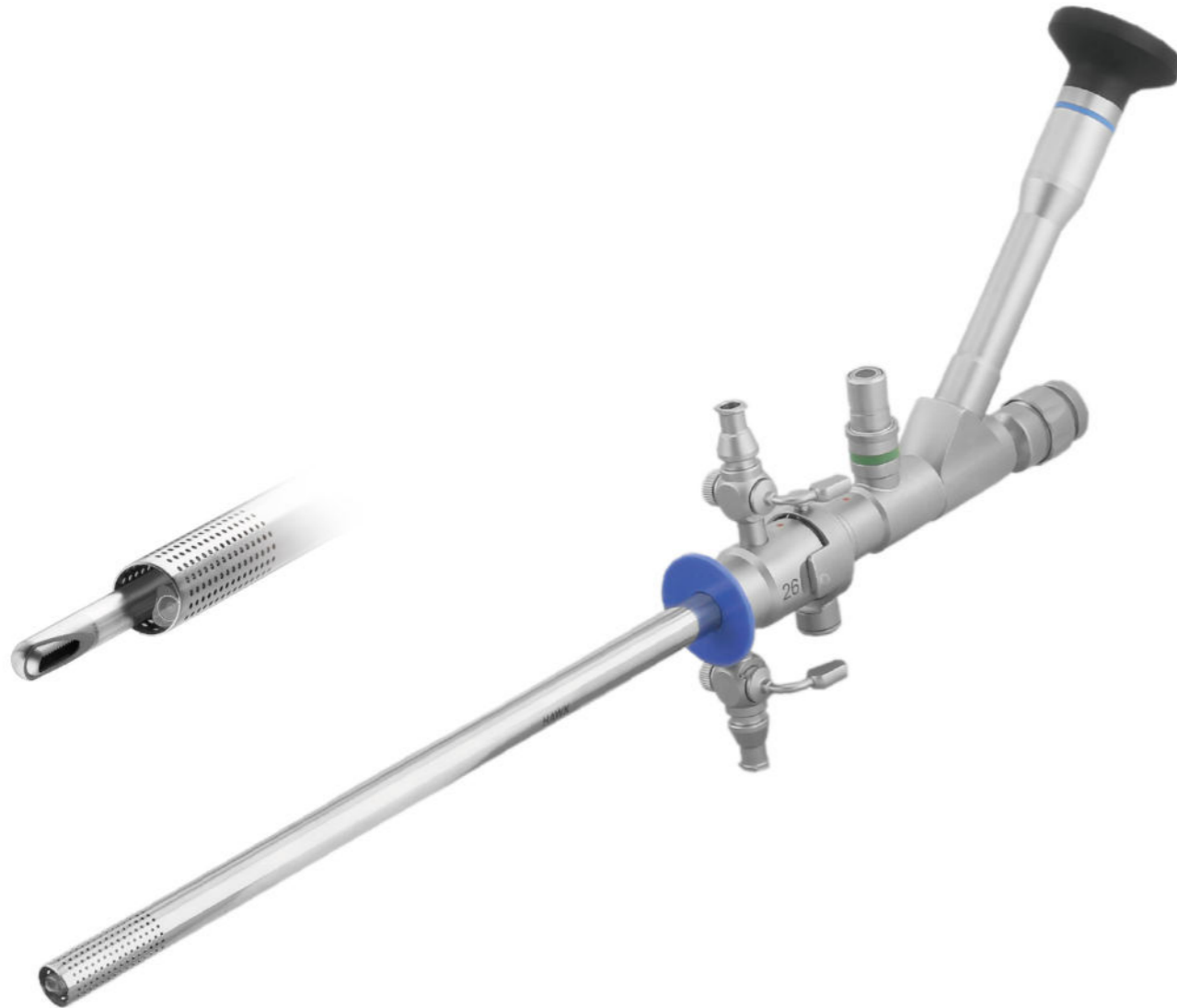
- Use with laser and mono/bipolar resectoscopes
- Two working modes: Suction, morcellating with simultaneous suction
- Overflow bottle with automatic anti-overflow function

### SHAVER SYSTEM

	<ul style="list-style-type: none"> <li>□ Technical Data:</li> <li>- Powersupply: AC 100V - 120V 50/60 Hz or AC 200V - 240V 50/60 Hz</li> <li>- Power consumption: 100 VA</li> <li>- Maximum speed: 1200 r/min</li> <li>- Speed range: 10 steps</li> <li>□ Size: 400 mm x 120 mm x 360 mm (W x H x D)</li> <li>□ Weight: 12 kg</li> </ul>
<b>Control Unit</b>	<b>N5900EA</b>
	<ul style="list-style-type: none"> <li>□ Features:</li> <li>- Brushless motor</li> <li>- Waterproof</li> <li>- Quick release lock</li> <li>- Autoclavable</li> <li>□ Technical Data:</li> <li>- Power of motor: 24 Watt</li> </ul>
<b>Hand Piece</b>	<b>N5901-2</b>
	<ul style="list-style-type: none"> <li>□ Features:</li> <li>- Waterproof</li> <li>- Speed adjustment</li> </ul>
<b>Footswitch</b>	<b>N5921</b>
	
<b>Blade</b> Ø 4.5 mm x 400 mm	<b>N5912</b>
<b>Collection Bottle</b> 300 ml (10 pc)	<b>P10020202</b>

# Cysto - Urethrosopes F26

## Morcellation

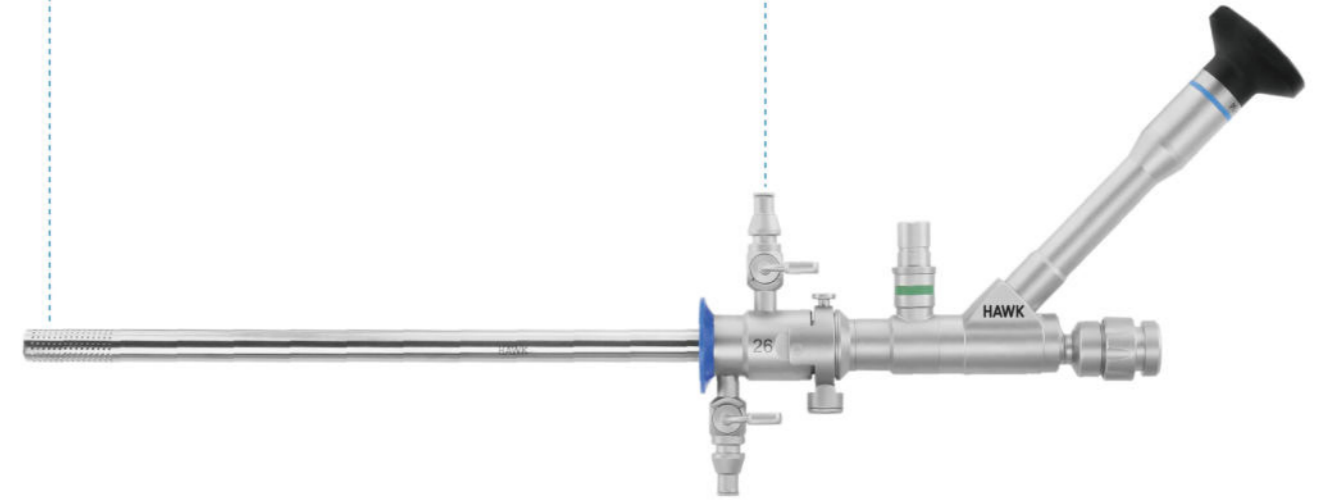


### OUTER SHEATH F26

The outer sheath is firm and rounded

### IRRIGATION

Continuous high irrigation performance  
Optimized irrigation stopcocks



### SYSTEM ELEMENTS

Easy joining and separating of system elements



Outer sheath F26  
N5810B-1



Obturator use with out sheath  
N5820A



0° Telescope  
Y6236 5



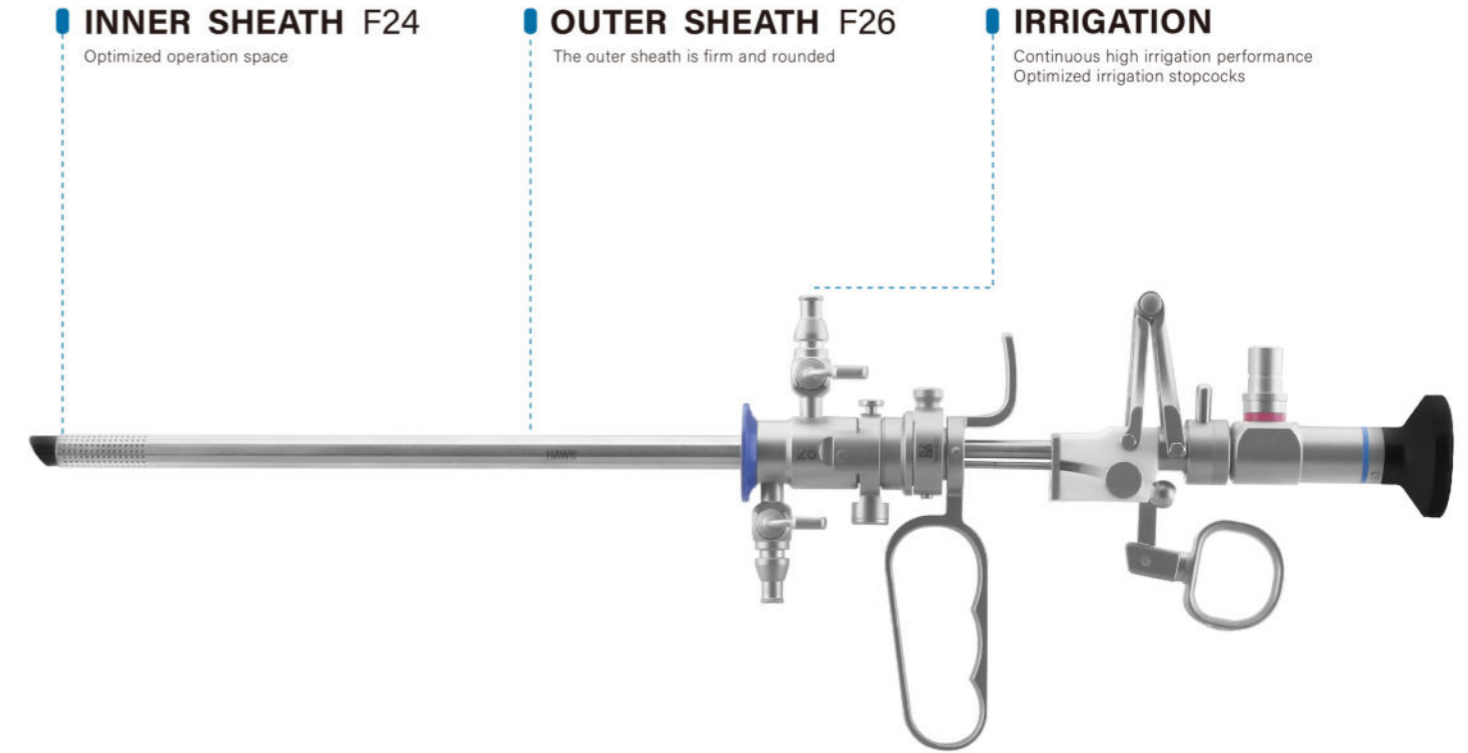
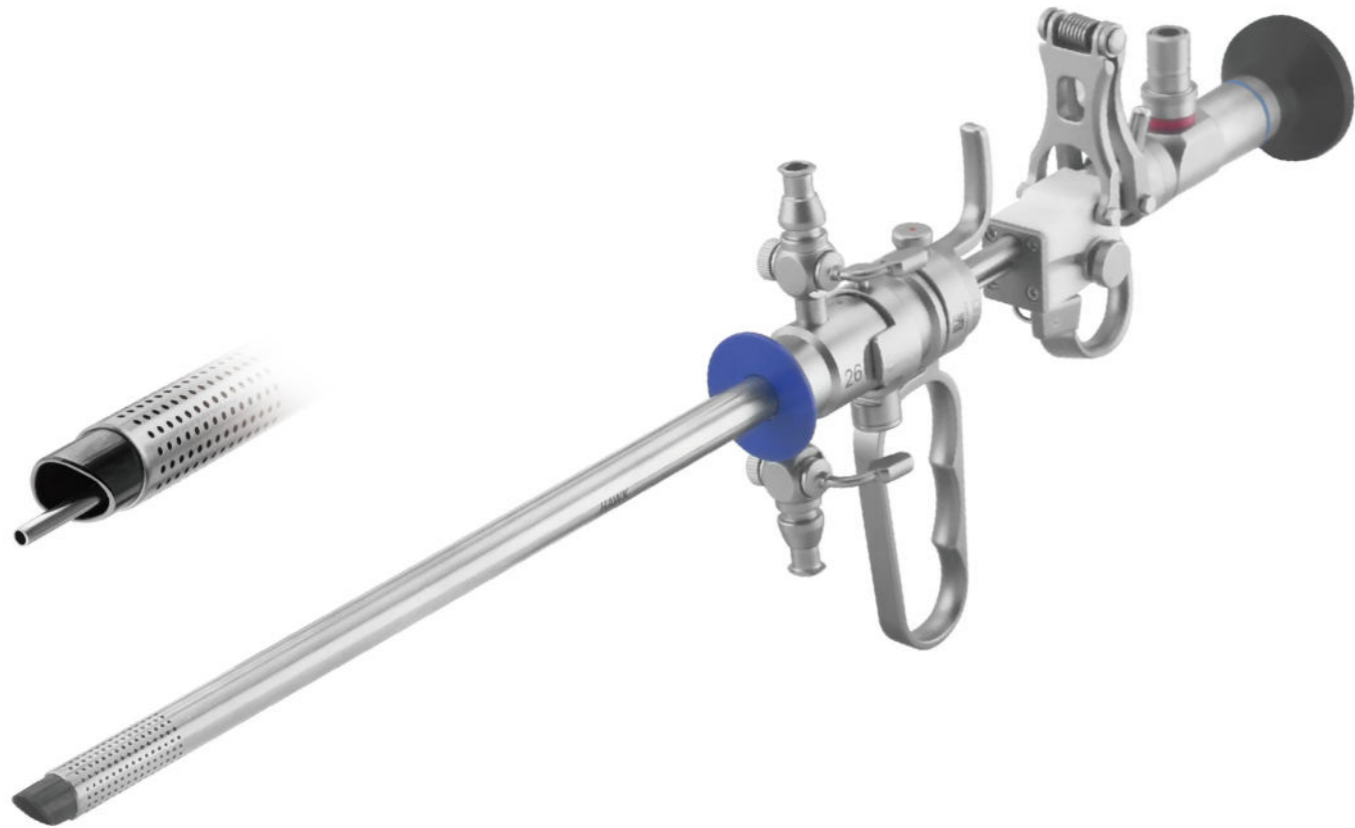
Sealing cap  
P9703D



Valve  
P9704C

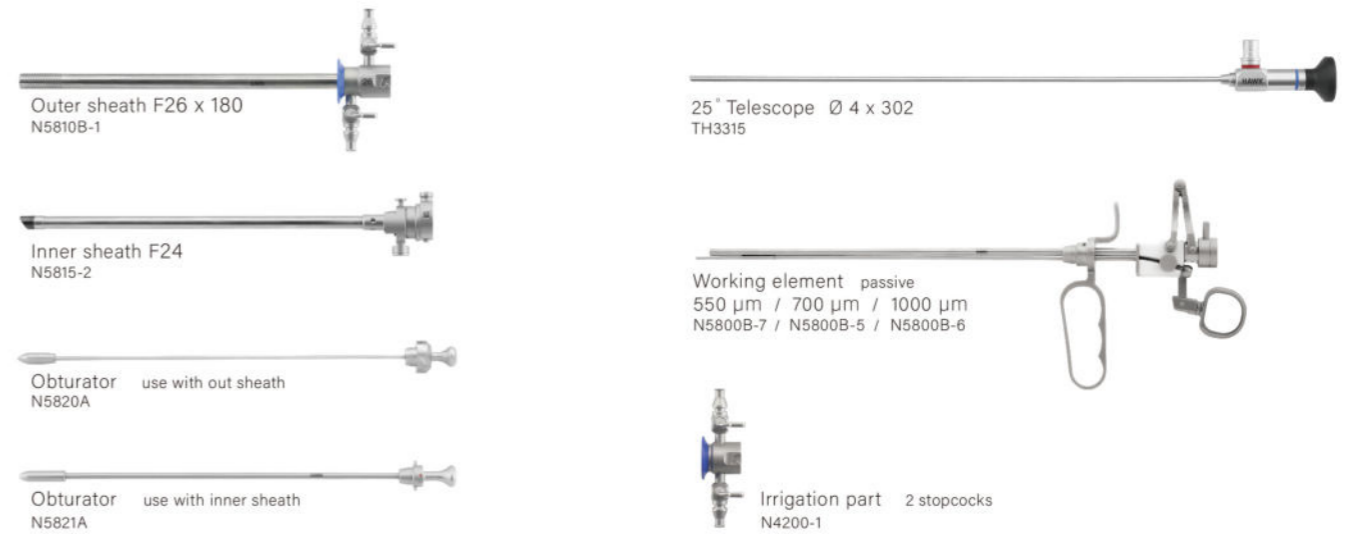
# Resectoscopes F26

**Laser**



## SYSTEM ELEMENTS

Easy joining and separating of system elements



Outer sheath F26 x 180  
N5810B-1

Inner sheath F24  
N5815-2

Obturator use with out sheath  
N5820A

Obturator use with inner sheath  
N5821A

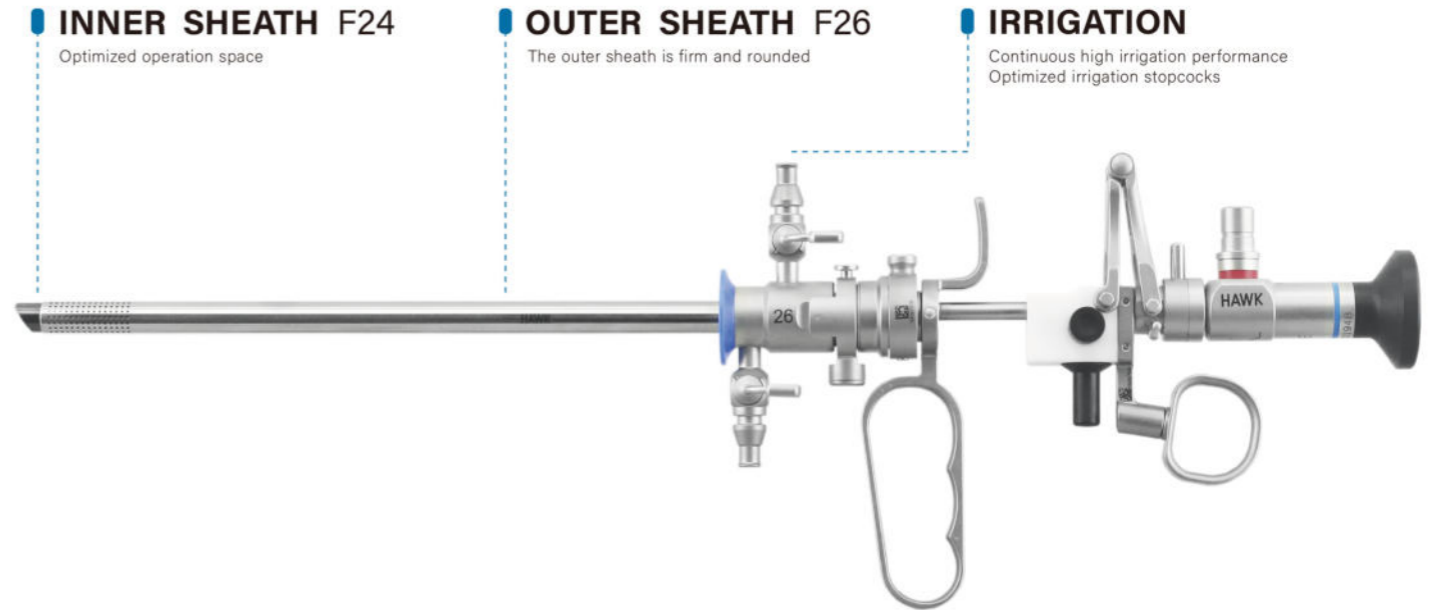
25° Telescope Ø 4 x 302  
TH3315

Working element passive  
550 µm / 700 µm / 1000 µm  
N5800B-7 / N5800B-5 / N5800B-6

Irrigation part 2 stopcocks  
N4200-1

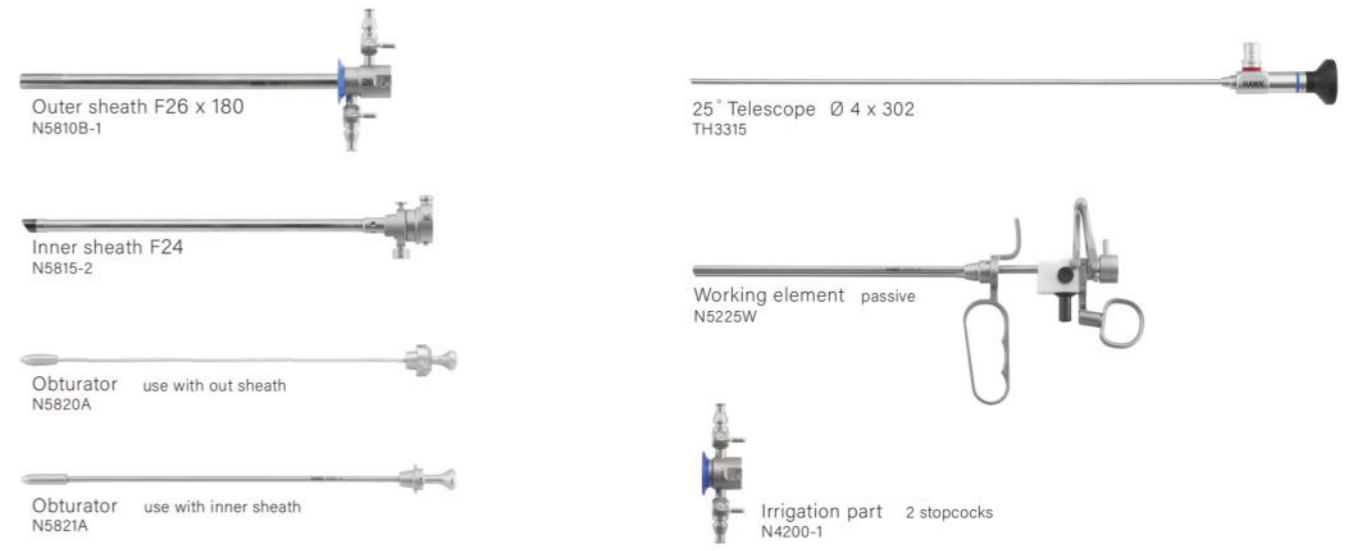
# Resectoscopes F26

Monopolar / Bipolar



## SYSTEM ELEMENTS

Easy joining and separating of system elements



## PLASMA RESECTION



# Operation Cystoscopes F24

## Morcellation

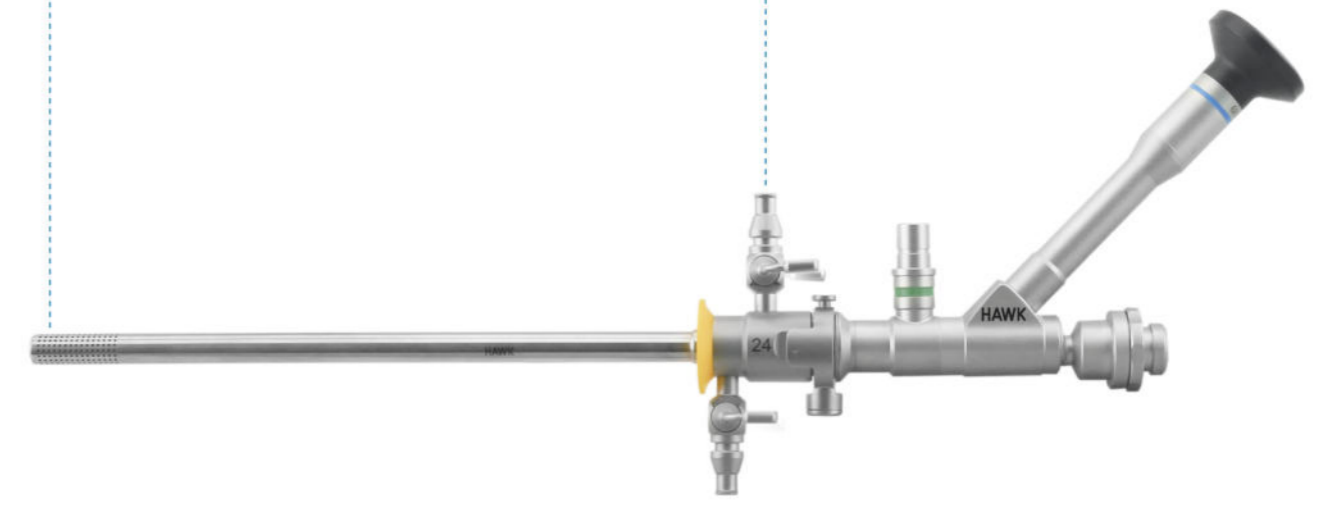


### OUTER SHEATH F24

Smaller outer diameter  
Reduced delation - increased patient comfort

### IRRIGATION

Continuous high irrigation performance  
Optimized irrigation stopcocks



### SYSTEM ELEMENTS

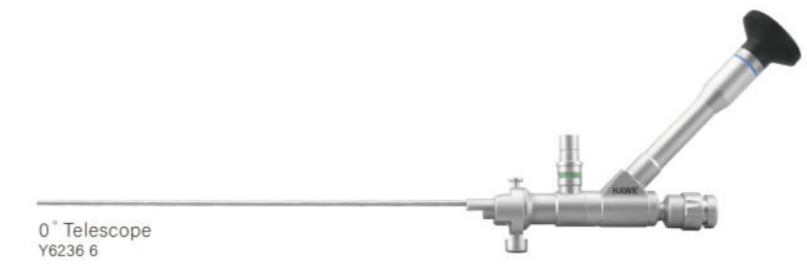
Easy joining and separating of system elements



Outer sheath F24  
N5810 H



Obturator N5820F use with out sheath



0° Telescope  
Y6236 6



Sealing cap  
P9703D



Valve  
P9704C

# Resectoscopes F24

Laser



## INNER SHEATH F22

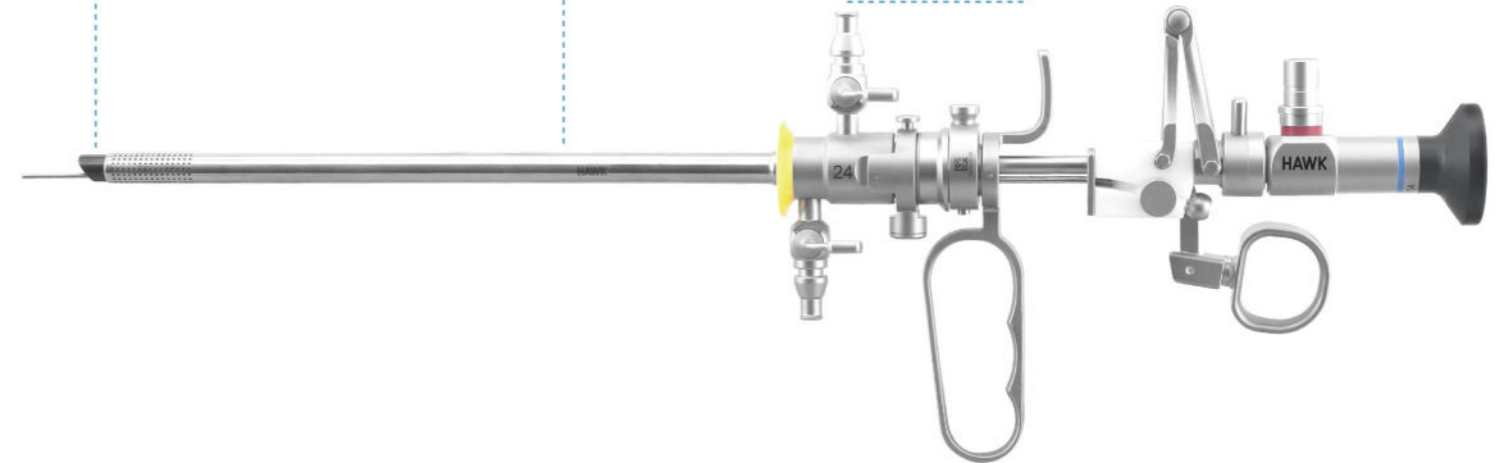
Optimized operation space

## OUTER SHEATH F24

Smaller outer diameter  
Reduced delation - increased patient comfort

## IRRIGATION

Continuous high irrigation performance  
Optimized irrigation stopcocks



## SYSTEM ELEMENTS

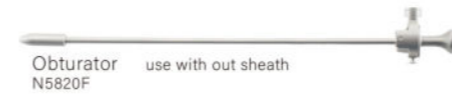
Easy joining and separating of system elements



Outer sheath F24  
N5810 H



Working channel of inner sheath F22  
N5815 H



Obturator use with out sheath  
N5820F



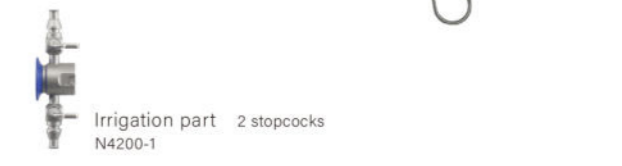
Obturator use with inner sheath  
N5821 F



25° Telescope Ø 4 x 302  
TH3315



Working element passive  
550 µm / 700 µm / 1000 µm  
N5800 F-1 / N5800 F / N5800 F-2



Irrigation part 2 stopcocks  
N4200-1

# Resectoscopes F24

Monopolar / Bipolar



## INNER SHEATH F22

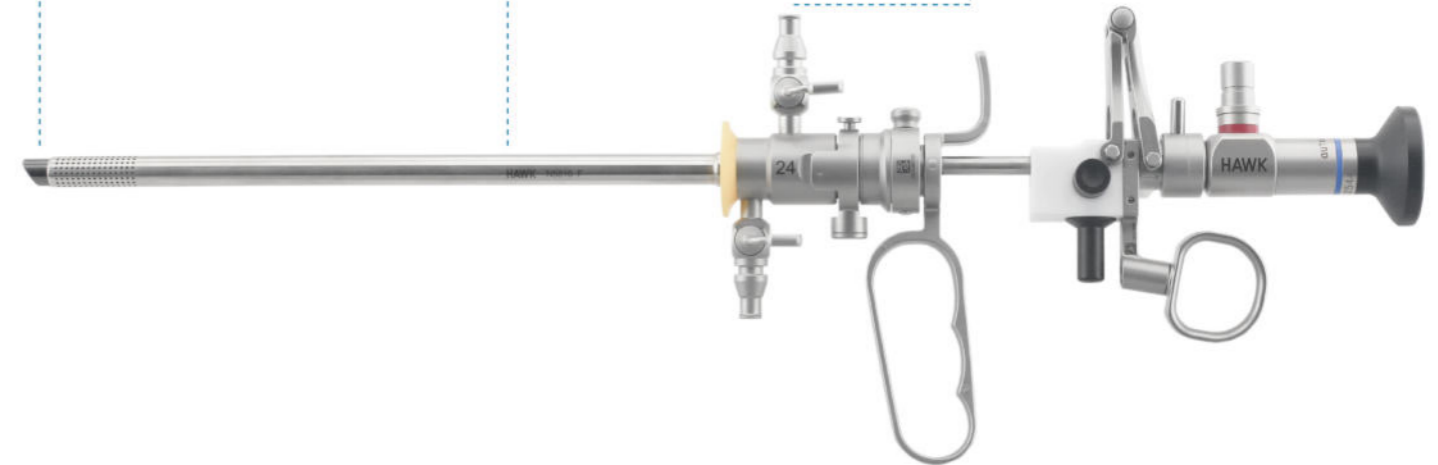
Optimized operation space

## OUTER SHEATH F24

Smaller outer diameter  
Reduced delation - increased patient comfort

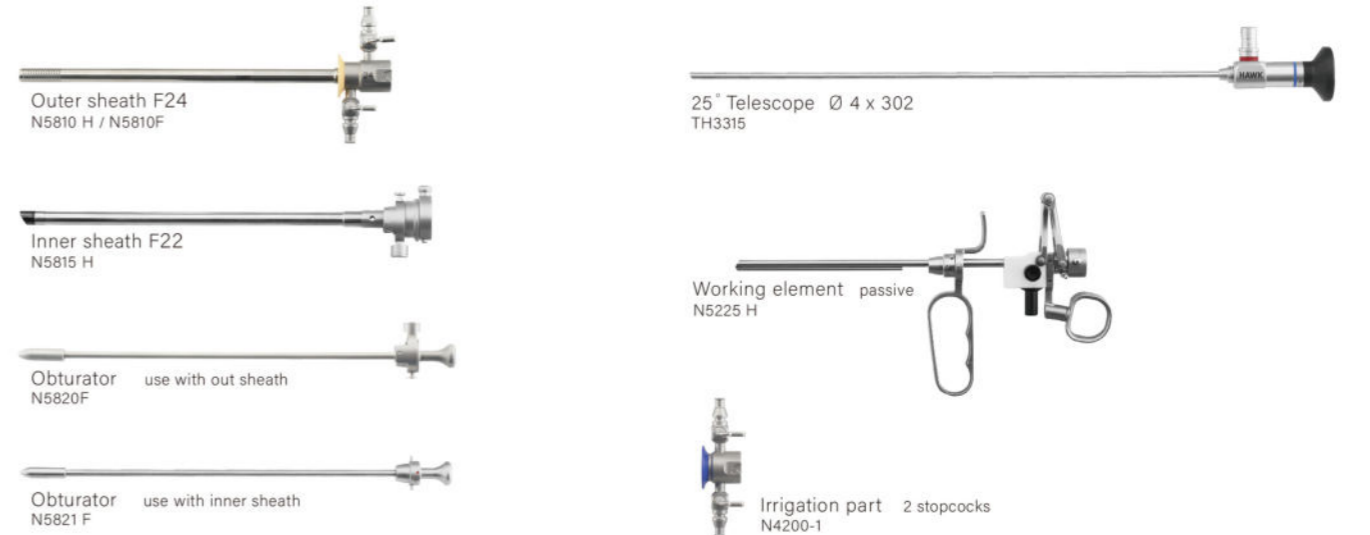
## IRRIGATION

Continuous high irrigation performance  
Optimized irrigation stopcocks

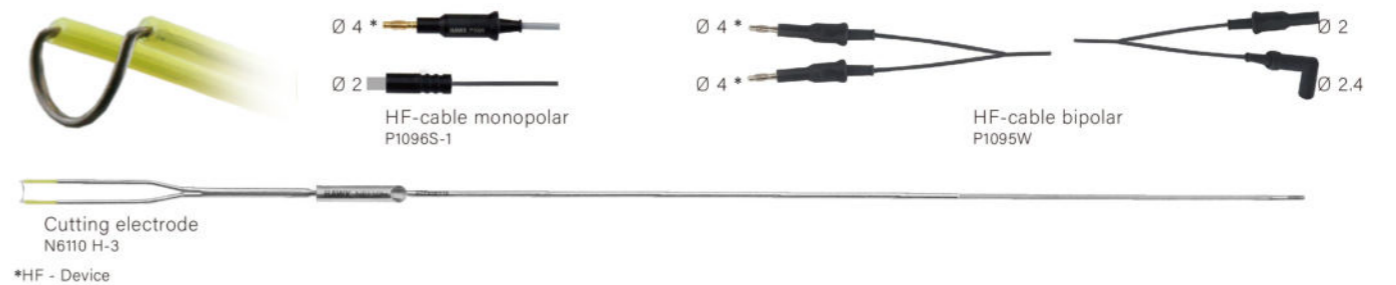


## SYSTEM ELEMENTS

Easy joining and separating of system elements



## PLASMA RESECTION



# Operation Cystoscopes F22

## Morcellation

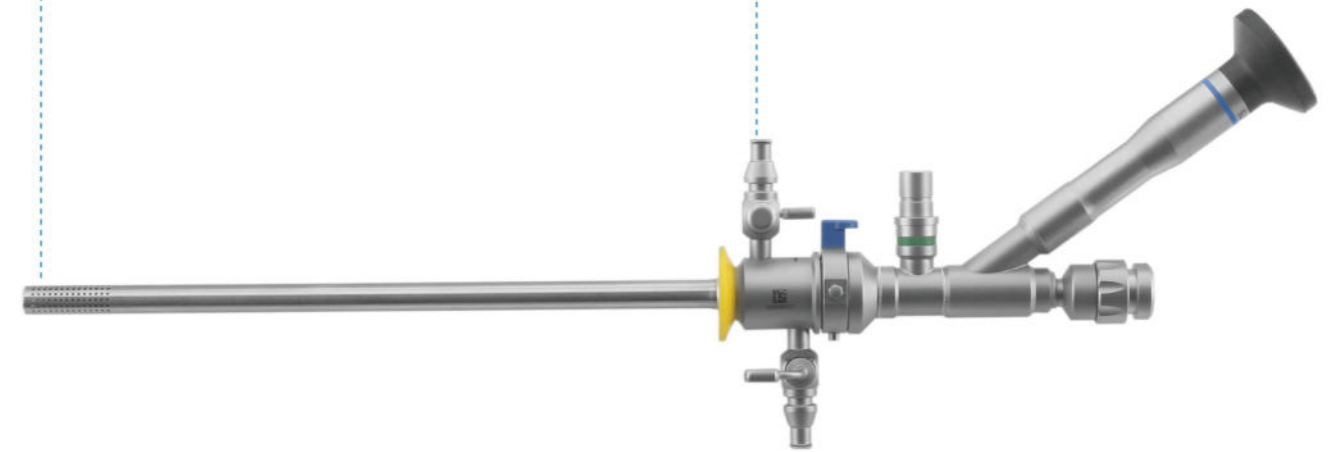


### OUTER SHEATH F22

Smaller outer diameter  
Reduced delation - increased patient comfort

### IRRIGATION

Continuous high irrigation performance  
Optimized irrigation stopcocks



### SYSTEM ELEMENTS

Easy joining and separating of system elements



Outer sheath F22  
N4226 K



Obturator  
N4326 K use with out sheath



0° Telescope



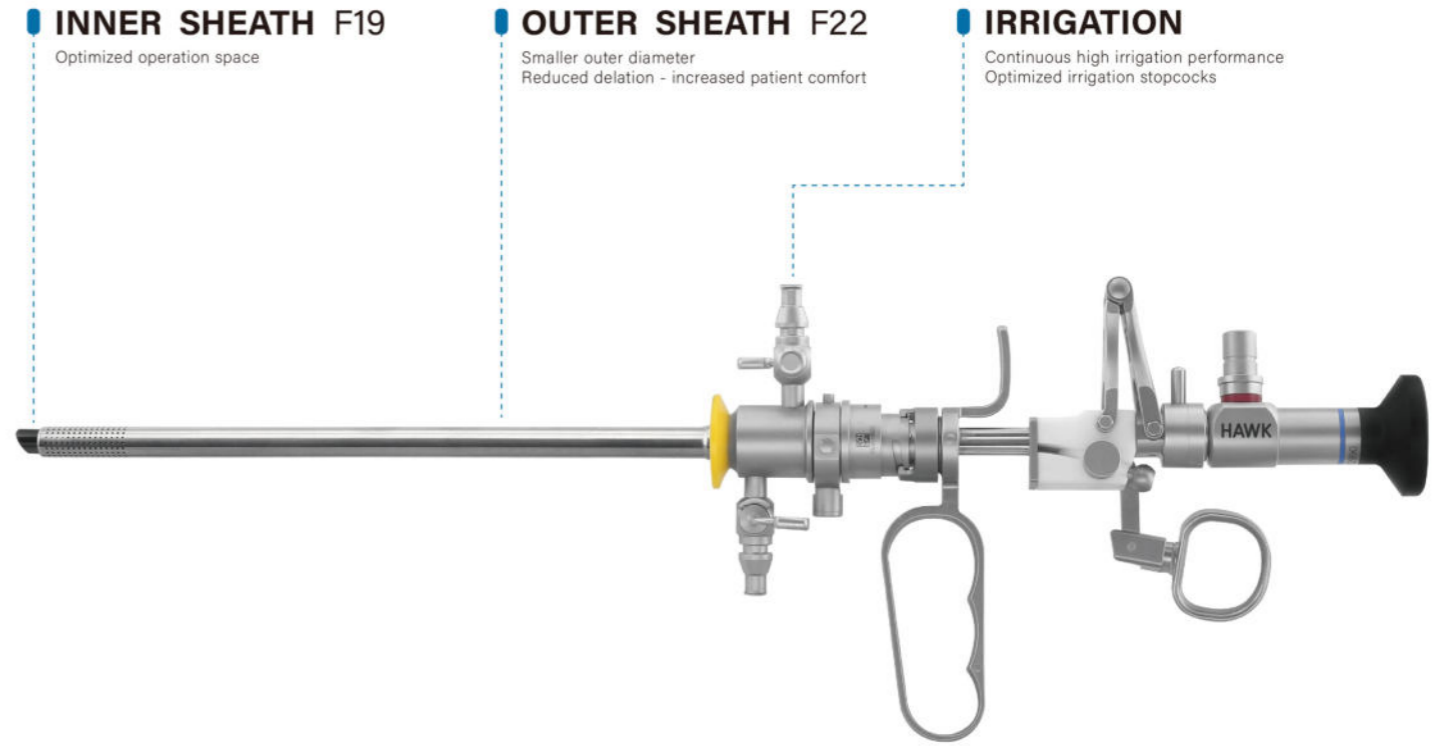
Sealing cap  
P9703D



Valve  
P9704C

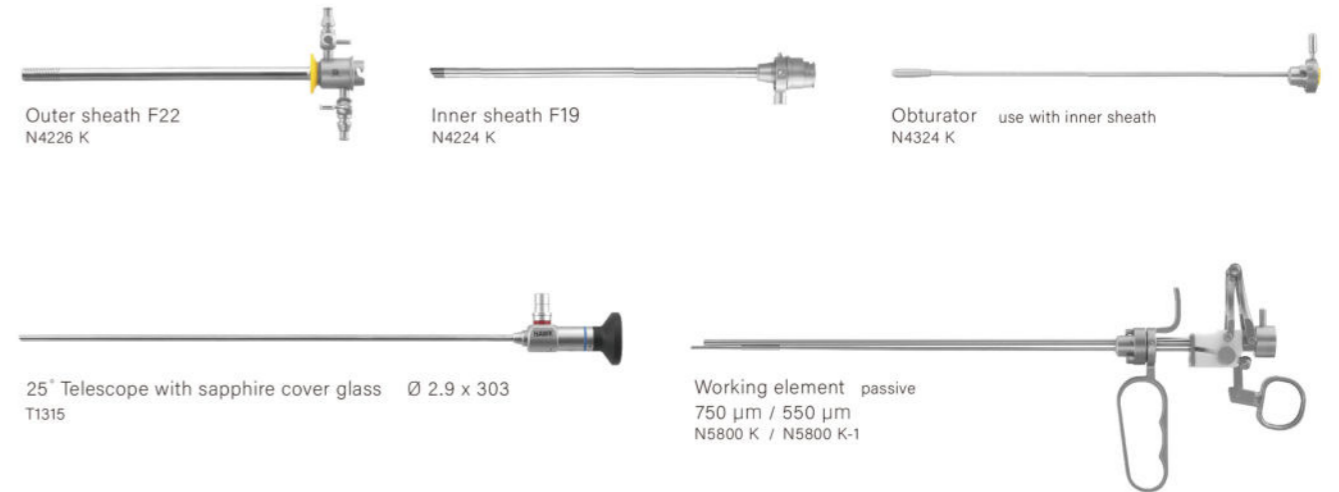
# Resectoscopes F22

Laser



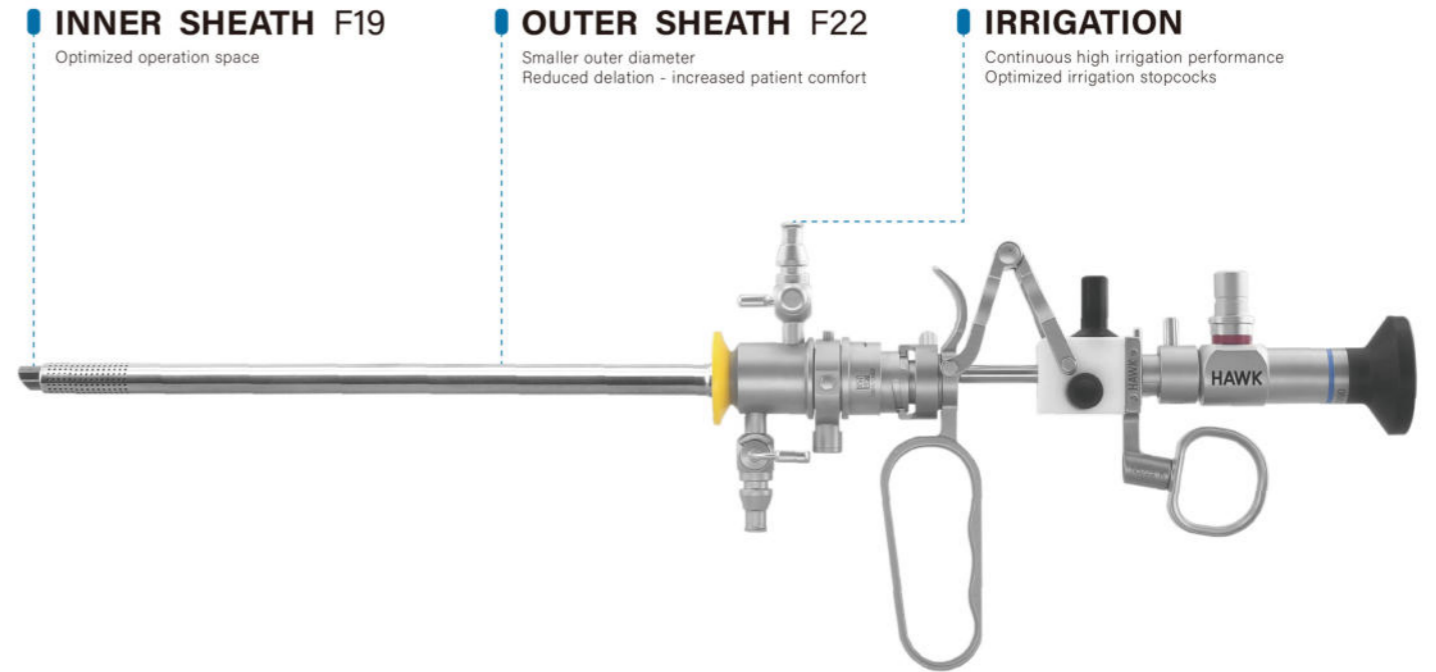
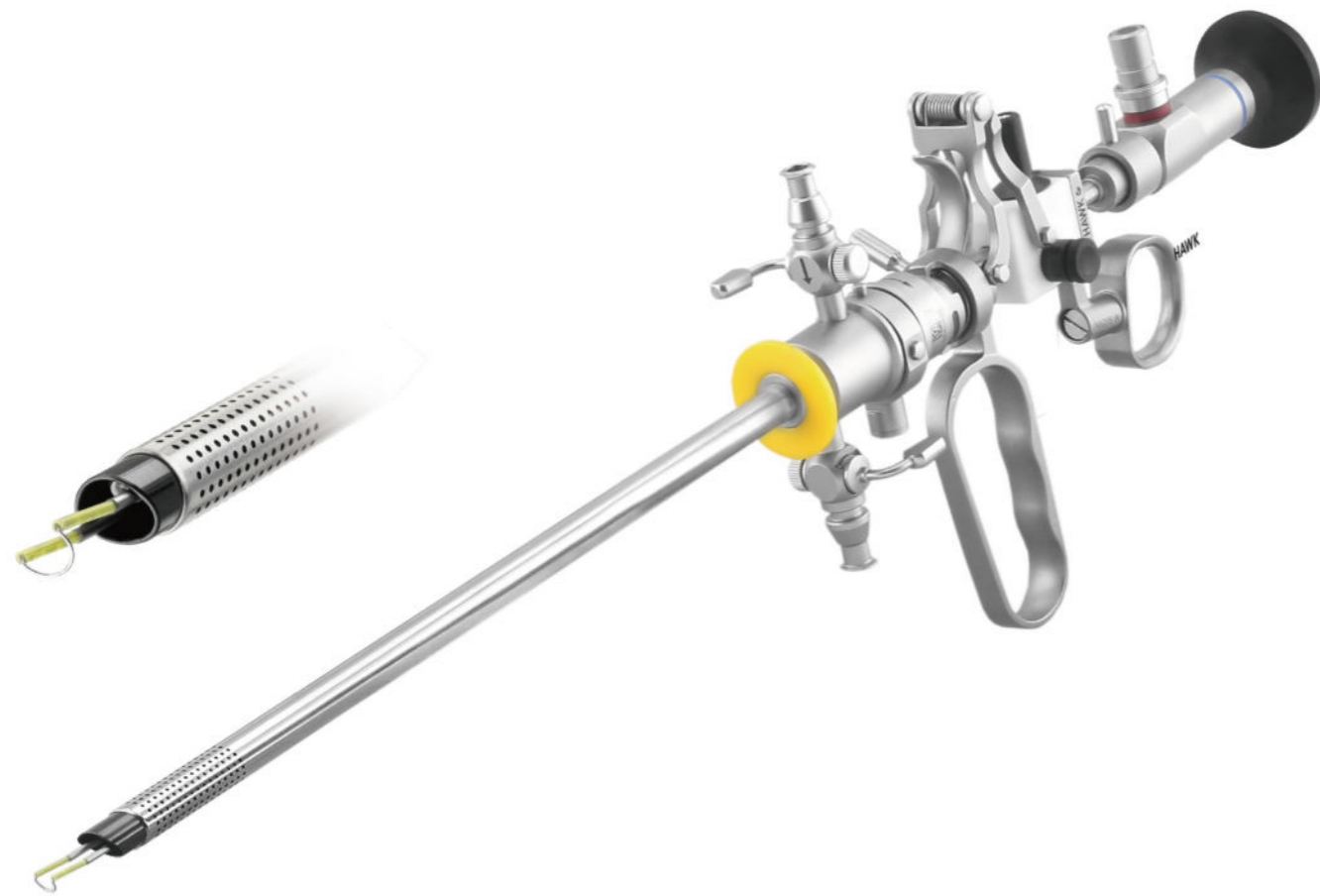
## SYSTEM ELEMENTS

Easy joining and separating of system elements



# Resectoscopes F22

Monopolar / Bipolar



**INNER SHEATH F19**

Optimized operation space

**OUTER SHEATH F22**

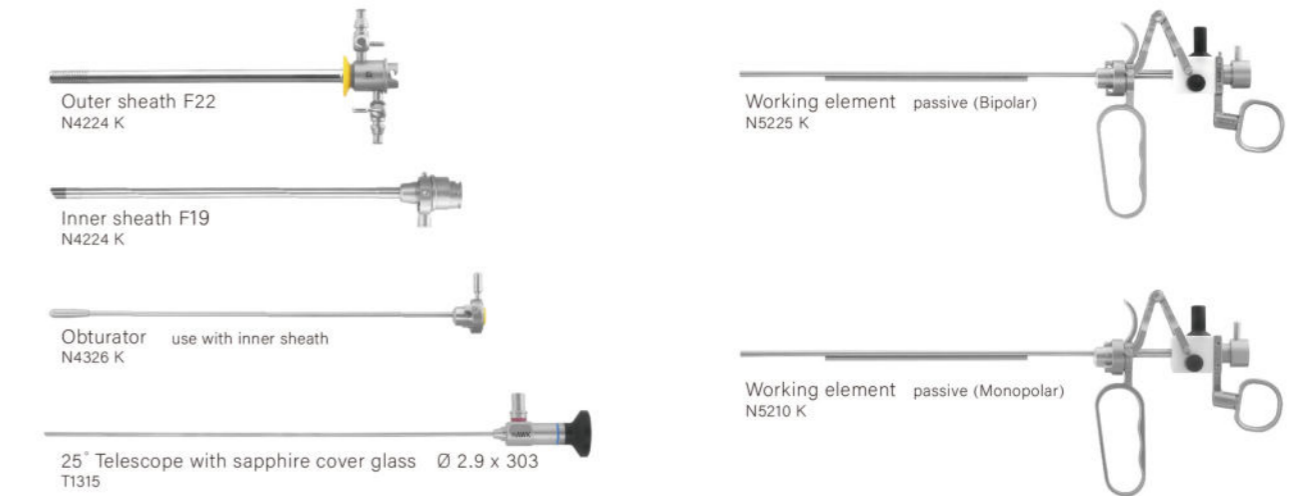
Smaller outer diameter  
Reduced delation - increased patient comfort

**IRRIGATION**

Continuous high irrigation performance  
Optimized irrigation stopcocks

**SYSTEM ELEMENTS**

Easy joining and separating of system elements



Outer sheath F22  
N4224 K

Inner sheath F19  
N4224 K

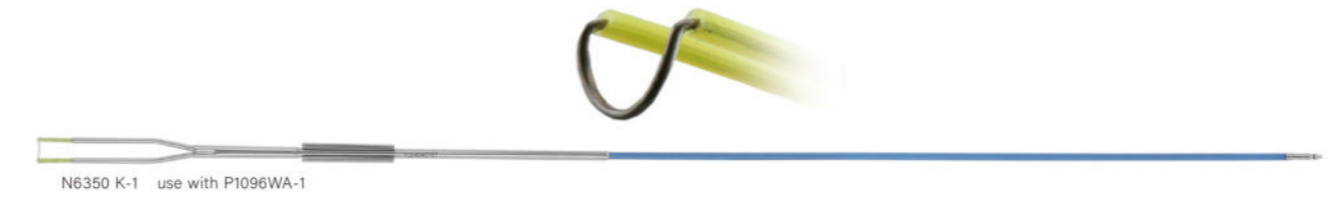
Obturator use with inner sheath  
N4326 K

25" Telescope with sapphire cover glass Ø 2.9 x 303  
T1315

Working element passive (Bipolar)  
N5225 K

Working element passive (Monopolar)  
N5210 K

**PLASMA RESECTION SYSTEM**

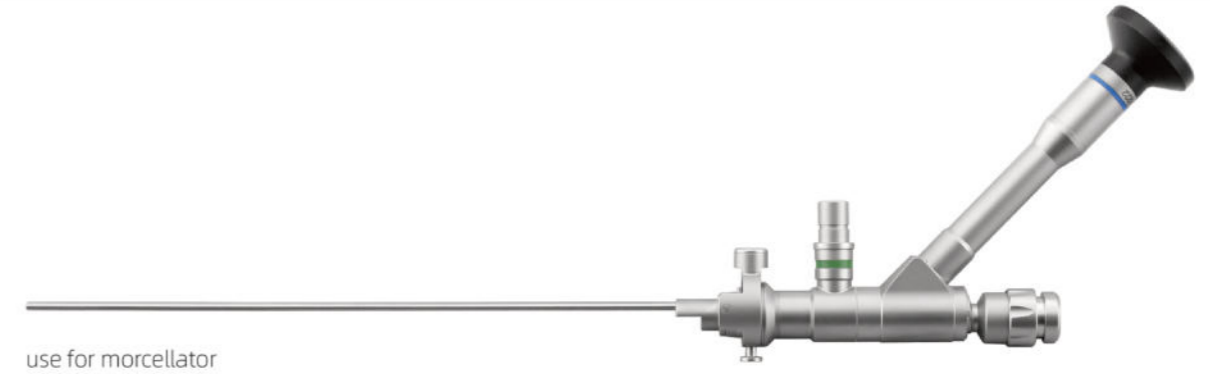


N6350 K-1 use with P1096WA-1

# Cysto - Urethroscopes for Morcellator



## CYSTO - URETHROSCOPE

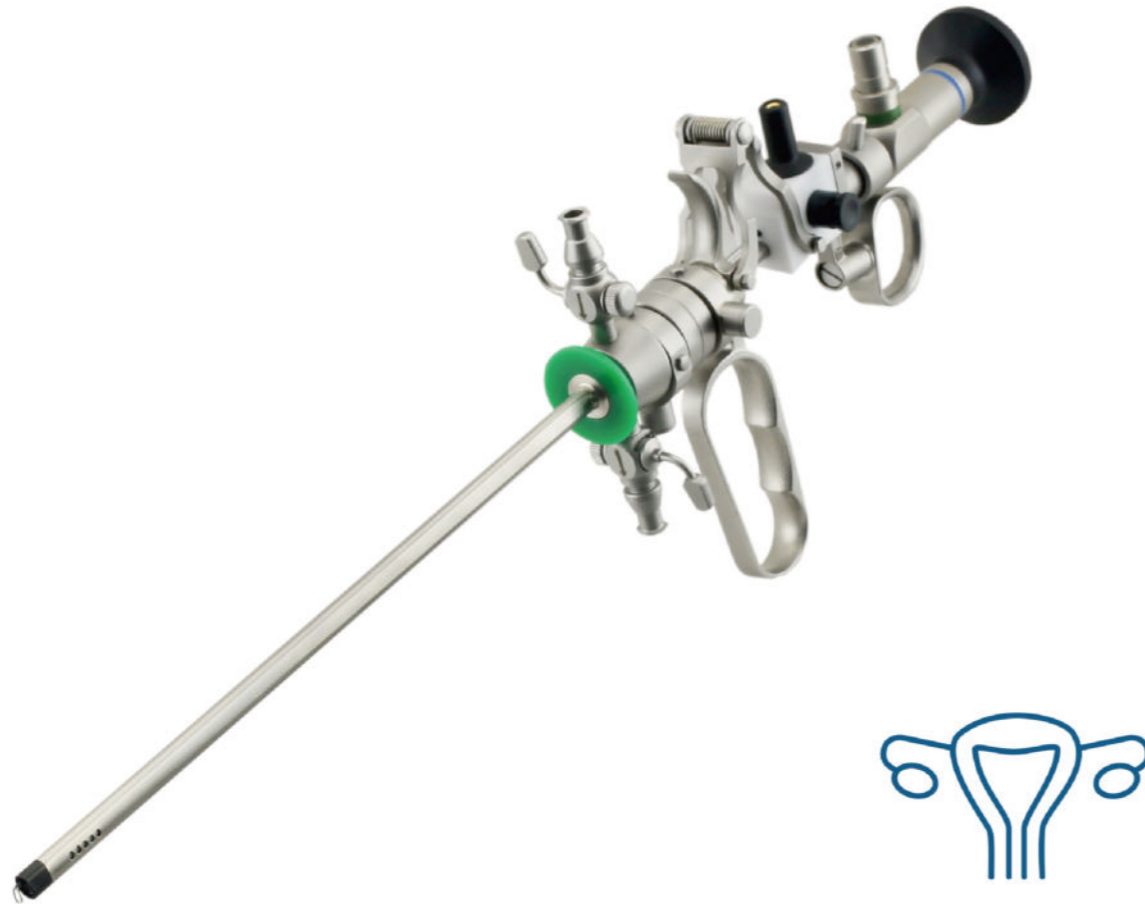


use for morcellator

 <p>PG - VC</p>	<p><b>Telescope 0°</b> Instrument channel F13.5</p>	<p>F10 x 191</p>	<p><b>Y6236 6</b></p>
	<p><b>Sheath</b></p>	<p>F24 x 180</p>	<p><b>N5810 H</b></p>
	<p><b>Obturator</b></p>	<p>F24</p>	<p><b>N5820F</b></p>
	<p><b>Sealing Cap</b></p>	<p>Ø 5 x 10</p>	<p><b>P9703D</b></p>
	<p><b>Valve</b></p>	<p><b>P9704C</b></p>	

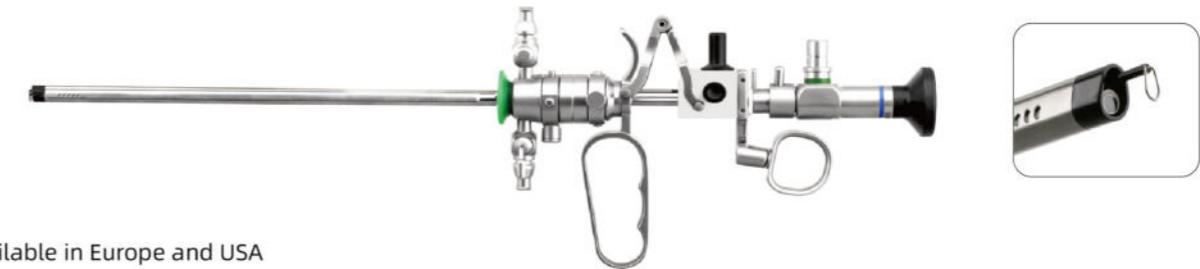
# Resectoscopes F14.6 / F16

Monopolar / Bipolar














- Thin Hystero-Resectoscope for clinical outpatient option
- Outer sheath F14.6 / F16 for substantially lower traumatization to the cervical canal
- Monopolar and bipolar
- Autoclavable telescopes are available

## RESECTOSCOPE MONOPOLAR / BIPOLAR



Not available in Europe and USA

	Telescope 0°	Ø 2.9 x 303	T1310
	Telescope 0° autoclavable		TH1310
 HF - connector Ø 2 / Ø 2.4 mm	Working Element passive use with N4224E / N4224F		N5210E
	Inner Sheath		N4224F
 Adaptor for ELLIK with lock P1012	Outer Sheath	F14.6	N4226F
	Inner Sheath		N4224E
 Adaptor for ELLIK with lock P1012	Outer Sheath	F16	N4226E
	Cutting Electrode use with N4224F		N6110F
			N6110E
 Ø 4* Ø 2	HF - Cable monopolar use with resectoscopes, length: 3 m		P1096S-1
 Ø 4* Ø 4* Ø 2 Ø 2.4	HF - Cable bi-polar use with resectoscopes, length: 3 m		P1095W

\* HF - Device Dimensions in (mm)

# Medical Shaver System



## SHAVER



YSB - III

<b>N5900EA 7</b>	<b>Control Unit</b>
<b>N5901 5</b>	<b>Hand Piece</b>
<b>N5921 5</b>	<b>Footswitch</b>
<b>N5913A</b>	<b>Blade</b> Ø4 x 350 mm

### Technical Data

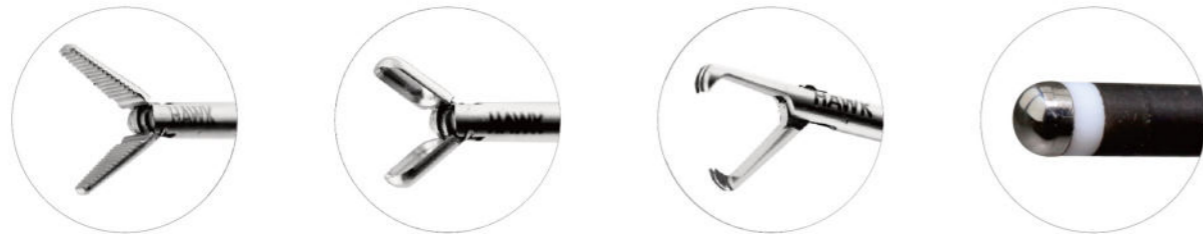
Voltage and Frequency	AC 110 V/230 V 50/60 Hz
Power Consumption	100 VA
Speed Rate	300~1200 r / min
Speed Range	0001-0010 10 Gears
Maximum Torque	140 mNm
Blade Size	Ø 4
Working Length	350 mm
Vacuum Pressure	0.08 MPa
Vacuum Flow Rate	15 l / min
Weight	12 kg

## ENDOSCOPES AND ACCESSORIES



<b>Y7196 2</b>	<b>Telescope 0°</b> F13.6 x 185 mm
<b>W4080</b>	<b>Sheath</b> Ø 7.1 x 173 mm, working channel Ø 4.2
<b>W4081</b>	<b>Sheath</b> Ø 6.1 x 173 mm, working channel Ø 3.2

Hand Instruments Ø3 x 350



<b>F1030 SA - 2</b>	<b>F1410 SA - 2</b>	<b>F1482 SA - 2</b>	<b>F2030 SA - 2</b>
<b>Dissecting Forceps</b>	<b>Biopsy Forceps</b>	<b>Claw Forceps</b>	<b>Button Electrode</b>



<b>F1070 SA - 2</b>	<b>F1210 SA - 2</b>	<b>F1490 SA - 2</b>	<b>F2020 SA - 2</b>
<b>Dissecting Forceps</b>	<b>Scissors</b>	<b>Grasping Forceps</b>	<b>Hook Electrode</b>

## Plasma HF - Generator



- Low-temperature (40-70°C) cutting/coagulation in Gynecology and Urology to prevent heating effects in the surrounding tissue
- Enhancing patient outcome and comfort
- Real-time control of impedance changes and adjustment of energy
- Ease of use with automatic protection against current overload
- Modern intelligent self-inspection before start
- Optimized menu navigation on a touch screen
- Footswitch operation



- Usage:
  - Plasma HF-Generator use for
  - Resectoscopes
  - Hysteroscopes
- Features:
  - Superpulse boosting excitation plasma mode
  - Automatic current overload protection function
  - Intelligent impedance monitoring and control technology
  - Touch screen operation
- Functions:
  - Plasma cutting / coagulation
  - 2 cutting modes (T1, T2)
  - 1 coagulation mode (DES)
  - Touch screen controls:
    - Power level adjustment
    - Sound volume adjustment
    - Electrode connection status displayed
- Technical Data:
  - Power supply: AC 110 V 60 Hz / 220 V 50 Hz
  - Frequency: 345 kHz
  - Power: 200 W / 300 Ω (cutting), 160 W / 100 Ω (coagulation)
  - Operating modes: 10 s / 30 s
- Size: 450 mm x 130 mm x 470 mm (W x H x D)
- Weight: 10 kg

## 4K UHD Camera System







- 4K UHD provides a clear, razor-sharp image with 3840 x 2160 camera resolution
- 7 image size adjustments (SCENE) for various rigid endoscopes
- With recording, photo and electronic zoom functions

<b>Plasma HF - Generator</b>	110 V	<b>P1033E 1</b>
<b>Plasma HF - Generator</b>	220 V	<b>P1033E</b>

<p>Dimensions in (mm)</p>	<p><b>HF - Cable</b> bipolar</p>	<p><b>P1095W</b></p>
<p>Dimensions in (mm)</p>	<p><b>HF - Cable</b> bipolar</p>	<p><b>P1096WA-1</b></p>

### 4K UHD Camera System

	<ul style="list-style-type: none"> <li><input type="checkbox"/> Features           <ul style="list-style-type: none"> <li>-Full lamination, anti-fingerprint</li> <li>-High transmittance medical cover glass</li> </ul> </li> <li><input type="checkbox"/> Technical Data:           <ul style="list-style-type: none"> <li>-32" Monitor LCD</li> <li>-Resolution: 4096 x 2160@60 Hz</li> <li>-Brightness: 850 cd/m<sup>2</sup></li> <li>-Video inputs: DP, HDMI, DVI, SDI</li> </ul> </li> <li><input type="checkbox"/> Size: 759 mm x 461 mm x 87mm (W x H x D)</li> </ul>
<b>4K UHD 32" Monitor LCD</b>	<b>P3232E</b>
	<ul style="list-style-type: none"> <li><input type="checkbox"/> Feature:           <ul style="list-style-type: none"> <li>-7 Image size adjustments (SCENE) for various rigid endoscopes</li> <li>-Effective exposure area searching intelligently</li> <li>-Automatic brightness adjustment</li> </ul> </li> <li><input type="checkbox"/> Technical Data:           <ul style="list-style-type: none"> <li>-Resolution: 3840 x 2160</li> <li>-Video outputs: HDMI (4K), DVI (1080p)</li> <li>-Power supply : 100 V - 240 V 50/60 Hz</li> <li>-Power: 30 W</li> </ul> </li> <li><input type="checkbox"/> Size: 400 mm x 112 mm x 300 mm (W x H x D)</li> </ul>
<b>4K UHD Camera HK-162A</b>	<b>P4325EC</b>
	<ul style="list-style-type: none"> <li><input type="checkbox"/> Features:           <ul style="list-style-type: none"> <li>-White balance adjustment single-handedly</li> <li>-Parfocal zoom</li> </ul> </li> <li><input type="checkbox"/> Functions:           <ul style="list-style-type: none"> <li>-Three button controls:               <ul style="list-style-type: none"> <li>-White balance</li> <li>-Photo</li> <li>-Recording</li> </ul> </li> </ul> </li> </ul>
<b>Camera Head</b>	<b>P4334A</b>
	<ul style="list-style-type: none"> <li><input type="checkbox"/> Functions           <ul style="list-style-type: none"> <li>-Manual light intensity control</li> </ul> </li> <li><input type="checkbox"/> Technical Data:           <ul style="list-style-type: none"> <li>-Lamp type: LED 100 W</li> <li>-Color temperature: 3000 k - 7000 k</li> <li>-Lifetime of lamp: 10.000 h</li> <li>-Powersupply: AC 100 V - 240 V 50/60 Hz</li> </ul> </li> <li><input type="checkbox"/> Size: 400 mm x 112 mm x 300 mm (W x H x D)</li> <li><input type="checkbox"/> Weight: 7 kg</li> </ul>
<b>Light Source LED-200</b>	<b>P2315EC</b>