

---

**VISIANO 20-2**  
LED EXAMINATION LIGHTS



reddot award 2014  
winner



UNIQUE DIAMOND  
OPTICS:  
PREMIUM-LED

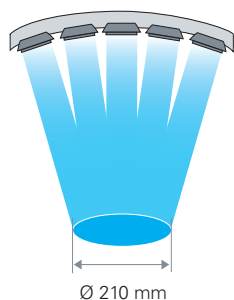
## VISIANO 20-2 OUR MASTERPIECE

Wherever it is necessary to have the highest standards of vision, uncompromising lighting is essential. Whether in a GP practice or at the dermatologist's office, in ENT or gynecology and particularly in sensitive wards such as neonatology and intensive care: The VISIANO 20-2 is versatile and dependable. Thanks to its unique design, modern lighting technology and highest quality of light, it ensures optimal examination conditions.



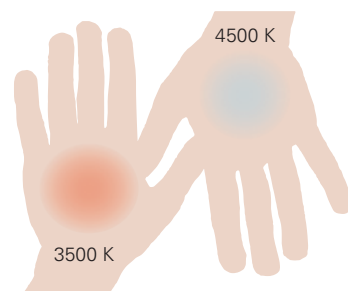
LED

- Highest lighting quality  
Thanks to a concave lighting head design, diamond optics and premium LEDs, homogeneous light field and high illuminance, low shadowing, excellent color rendering (CRI > 95, R13 > 93)
- Long service life, safe and economical  
low power consumption, built-in converter, maintenance-free housing, high-quality aluminium arm system and durable friction joints
- Maximum reach and ergonomics  
360° rotation of the luminaire head, long arm reach
- Four dimming levels  
Repeatable luminous intensities, also as ambient indirect lighting in sensitive areas
- Approved safety  
Medical device according to IEC 60601, unique in this class



efficient *light*

Illumination field  
Ø 21 cm / 0.5 m



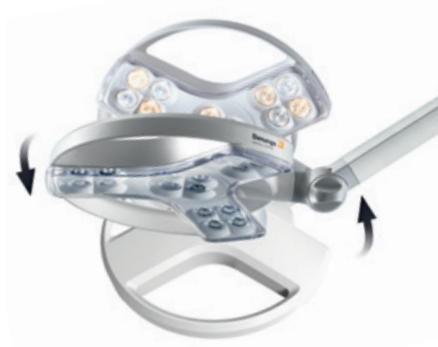
Color change  
for optimal contrast sensitivity



reddot award 2014  
winner



unique diamond optics  
for best color uniformity of the light



360° turnover-axis  
for maximum light



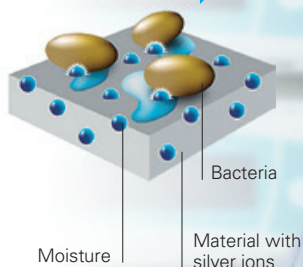
spring balanced friction joint  
effortless positioning and locking



### Protection against the spread of bacteria

In untreated materials, harmful bacteria and germs multiply within 20 minutes. The integrated antimicrobial Sanitized® hygiene function (optional) in the upper luminaire housing and in the control panel helps to keep critical areas hygienic. Tests have shown that 99% of the bacteria and microbes could be destroyed. The biocide is permanently resistant, but is not a substitute for regular cleaning.

BY REQUEST:  
BACTERIA  
REDUCTION  
WITH SILVER IONS



[www.sanitized.com](http://www.sanitized.com)

Silver ions destabilize the cell membrane of microbes and bacteria

The range of uses of the new VISIANO 20-2 is as versatile as the selection of mounting options. Whether mounted on the ceiling, wall or floor. While you enjoy its superb ergonomic, the antimicrobial Sanitized® hygiene feature (optional) reliably inhibits the growth of microorganisms on the surface. In addition, the fully enclosed housing prevents penetration and the formation of dirt.

#### VISIANO 20-2 compact

- intuitive and ergonomic
- high-quality components
- homogeneous light field (Ø 21 cm, 60 000 Lux / 0.5 m)
- built-in antimicrobial hygiene feature
- various fixation options
- color changing
- 4 dimming levels

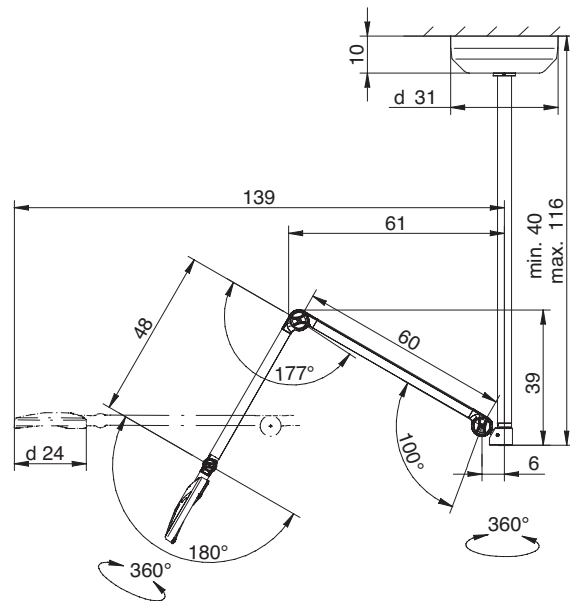
# WANTED – FOUND THE PERFECT EXAMINATION LIGHT



# VISIANO 20-2



Ceiling tube  
max. 116 cm long  
(can be cut to length)



Ceiling version

## VISIANO 20-2 – CEILING VERSION

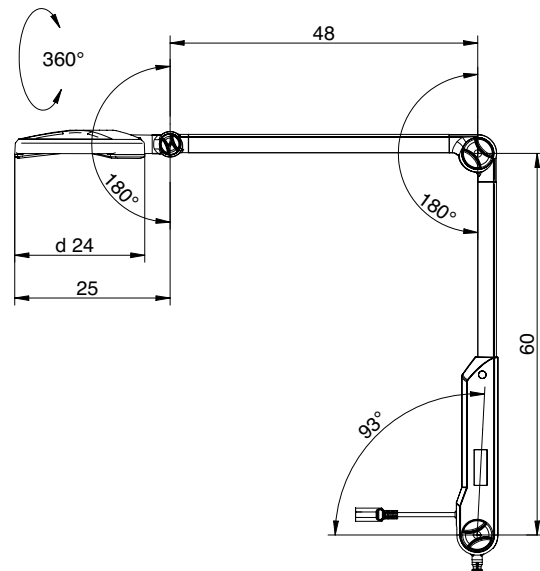
## ORDER NO.

VISIANO 20-2 CT1

pure white / gray

Fixed connection

D15.450.000



Pin version

## VISIANO 20-2 – PINVERSION

## ORDER NO.

VISIANO 20-2 PTX

pure white / gray

Euro

D15.451.000

VISIANO 20-2 PTX

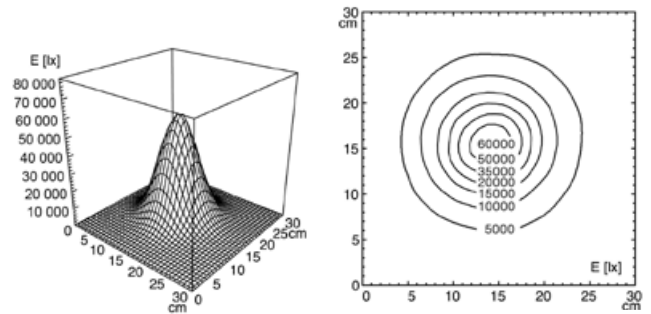
pure white / gray

UK

D15.456.000

**VISIANO 20-2 technology**

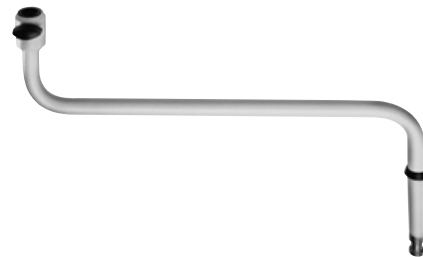
Light output	60,000 Lux / 0.5 m *
Color temperature	3500 K & 4500 K *
Illumination field 0.5 m	Ø 21 cm *
Color rendering	CRI > 95
Operation	Control panel at light head
Accessories	Suspended Ceiling Adapter
Protection class	II
Standards	EN 60601-1, EN 60601-2-41
Protection class	IP 20
Features	2 color temperatures, 4 dimming levels, antimicrobial, 360° Turn-over Axis



\* -10% / +20% tolerance



## ACCESSORIES



ROLLERSTAND	
Material	Steel
Finish	- Tube: white - Foot: plastic - Casters: twin plastic casters, with 5 brakes
Dimensions	1.0 m; Ø 700 mm
Weight (net)	7.5 kg
for pin Ø	16 mm-W with removal guard with cable suspension device
<b>Order number</b>	<b>D15.595.000</b>

EXTENSION ARM	
Material	Powder-coated steel / steel pipe
Dimensions	400 m, Ø 16 mm
Weight (net)	approx. 0.65 kg
for stud Ø	16 mm with removal protection
Capacity	2.5 kg
<b>Order number</b>	<b>D13.363.000</b> - pure white



RAIL MOUNTING	
Material	Aluminum
Wall Rail system	25-35 x 8-10 mm
<b>Order number</b>	<b>D13.269.000</b>

TABLE CLAMP	
Material	Polyamide steel
<b>Order number</b>	<b>D14.228.000</b> - black

WALL BRACKET	
Material	Polyamide GF
<b>Order number</b>	<b>D13.231.000</b> - pure white

**HEADQUARTERS GERMANY**

Herbert Waldmann GmbH & Co. KG  
 Peter-Henlein-Straße 5  
 78056 VILLINGEN-SCHWENNINGEN  
 GERMANY  
 Telephone +49 7720 601 - 0  
 Telephone +49 7720 601 - 100 (Sales)  
 Fax +49 7720 601 - 290  
 www.waldmann.com  
 sales.germany@waldmann.com

**FRANCE**

Waldmann Eclairage S.A.S.  
 Zone Industrielle  
 Rue de l'Embranchement  
 67116 REICHSSTETT  
 FRANCE  
 Telephone +33 3 88 20 95 88  
 Fax +33 3 88 20 95 68  
 www.waldmann.com  
 info-fr@waldmann.com

**ITALY**

Waldmann Illuminotecnica S.r.l.  
 Via della Pace, 18 A  
 20098 SAN GIULIANO MILANESE (MI)  
 ITALY  
 Telephone +39 02 98 24 90 24  
 Fax +39 02 98 24 63 78  
 www.waldmann.com  
 info-it@waldmann.com

**THE NETHERLANDS**

Waldmann B.V.  
 Lingewei 19  
 4004 LK TIEL  
 THE NETHERLANDS  
 Telephone +31 344 631019  
 Fax +31 344 627856  
 www.waldmann.com  
 info-nl@waldmann.com

**AUSTRIA**

Waldmann Lichttechnik Ges.m.b.H.  
 Gewerbepark Wagram 7  
 4061 PASCHING/LINZ  
 AUSTRIA  
 Telephone +43 7229 67400  
 Fax +43 7229 67444  
 www.waldmann.com  
 info-at@waldmann.com

**SCANDINAVIA**

Waldmann Ljusteknik AB  
 Skebokvarnsvägen 370  
 124 50 BANDHAGEN  
 SWEDEN  
 Telephone +46 8 990 350  
 Fax +46 8 991 609  
 www.waldmann.com  
 info-se@waldmann.com

**SWITZERLAND**

Waldmann Lichttechnik GmbH  
 Benkenstrasse 57  
 5024 KÜTTIGEN  
 SWITZERLAND  
 Telephone +41 62 839 1212  
 Fax +41 62 839 1299  
 www.waldmann.com  
 info-ch@waldmann.com

**UNITED KINGDOM**

Waldmann Lighting Ltd.  
 10 Millfield House  
 Croxley Park  
 WATFORD WD18 8YX  
 UNITED KINGDOM  
 Telephone +44 1923 800030  
 Fax +44 1923 800016  
 www.waldmann.com  
 info-uk@waldmann.com

**USA**

Waldmann Lighting Company  
 9 W. Century Drive  
 WHEELING, ILLINOIS 60090  
 USA  
 Telephone +1 847 520 1060  
 Fax +1 847 520 1730  
 www.waldmannlighting.com  
 waldmann@waldmannlighting.com

**CHINA**

Waldmann Lighting (Shanghai) Co., Ltd.  
 Part A11a, No. Five Normative Workshop  
 199 Changjian Road, Baoshan  
 SHANGHAI, P.R.C. 200949  
 CHINA  
 Telephone +86 21 5169 1799  
 Fax +86 21 3385 0032  
 www.waldmann.com.cn  
 info-cn@waldmann.com

**SINGAPORE**

Waldmann Lighting Singapore Pte. Ltd. 77A  
 Neil Road  
 SINGAPORE 088903  
 SINGAPORE  
 Telephone +65 6275 8300  
 Fax +65 6275 8377  
 www.waldmann.com  
 sales-sg@waldmann.com

Center of Expertise for Care & Health:

**DERUNGS LICHT AG**

Hofmattstrasse 12  
 9200 Gossau  
 Switzerland  
 Phone +41 71 388 11 66  
 Fax +41 71 388 11 77  
 www.derungslicht.com  
 mailbox@derungslicht.com

Derungs Licht AG is a member of the  
 Waldmann Group.

