

Treatment tables and Chairs



NAMRØL

Vera

Perfectly adapted
to your way of
working

Provide your
patients with
optimal comfort
and achieve the
best treatment
results.



Treatment Tables



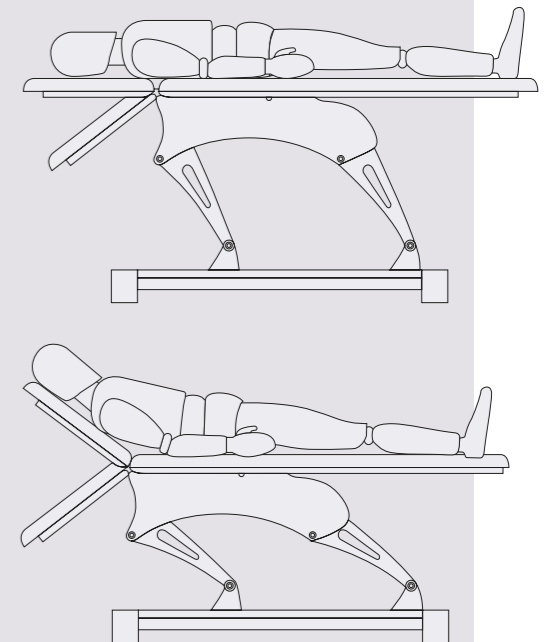
Vera E2

Professional examination table with adjustable height

This two-section table demonstrates the perfect combination of design and functionality for your clinic. The adjustable headrest offers a versatile and practical solution for any type of general examination, in both reclined and extended positions.

Features

- Stable, safe and functional chassis.
- Motorised height regulation.
- Multifunction foot control with automatic zero position.
- Piston controlled adjustable headrest.
- High density foam upholstery.
- Steel structure in high gloss finish.
- Maximum lifting capacity: 220 kg.
- Wide range of accessories.
- Optimum designed base allowing ease of access from any angle.





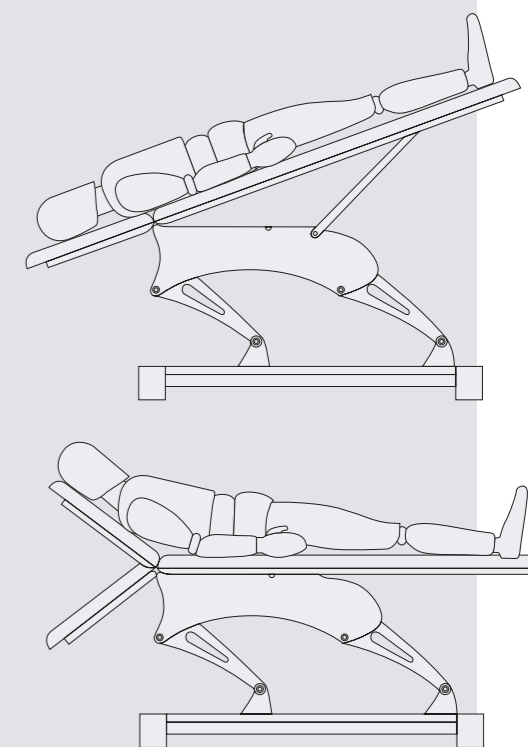
Vera EP2

Professional Examination table with adjustable height and Trendelenburg

This two-section table perfectly combines functionality and design. The adjustable headrest and mid-section offer a practical and versatile solution for any type of general examination in reclined, extended, and Trendelenburg positions.

Features

- Stable, safe and functional chassis.
- Motorised height regulation.
- Multifunction foot control with automatic zero position.
- Piston controlled adjustable headrest.
- Piston controlled adjustable mid section with Trendelenburg position.
- High density foam upholstery.
- Steel structure in high gloss finish.
- Maximum lifting capacity: 220 kg.
- Wide range of accessories.
- Optimum designed base allowing ease of access from any angle.





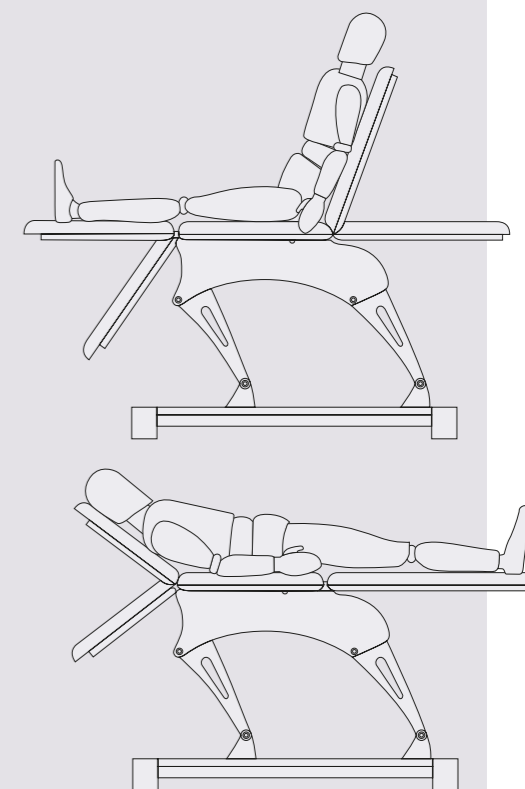
Vera E3

Professional examination table with adjustable height

Solid and functional 3-section table. Vera E3 is ideal for any type of examination in reclined, extended, or vertical positions.

Features

- Stable, safe and functional chassis.
- Motorised height regulation.
- Multifunction foot control with automatic zero position.
- Piston controlled adjustable headrest.
- Piston controlled adjustable leg support.
- High density foam upholstery.
- Steel structure in high gloss finish.
- Maximum lifting capacity: 220 kg.
- Wide range of accessories.
- Optimum designed base allowing ease of access from any angle.





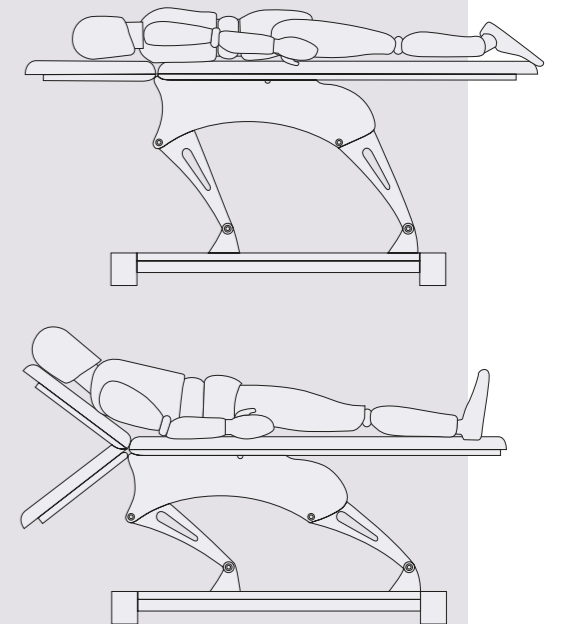
Vera M2

Professional examination table with adjustable height

Solid and functional 2-section table suitable for a wide range of manual therapy, massage, and diverse procedures in the examination of patients.

Features

- Stable, safe and functional chassis.
- Motorised height regulation.
- Multifunction foot control with automatic zero position.
- Piston controlled adjustable headrest.
- Ergonomic opening for the face in head support.
- High density foam upholstery.
- Steel structure in high gloss finish.
- Maximum lifting capacity: 220 kg.
- Wide range of accessories.
- Optimum designed base allowing ease of access from any angle.





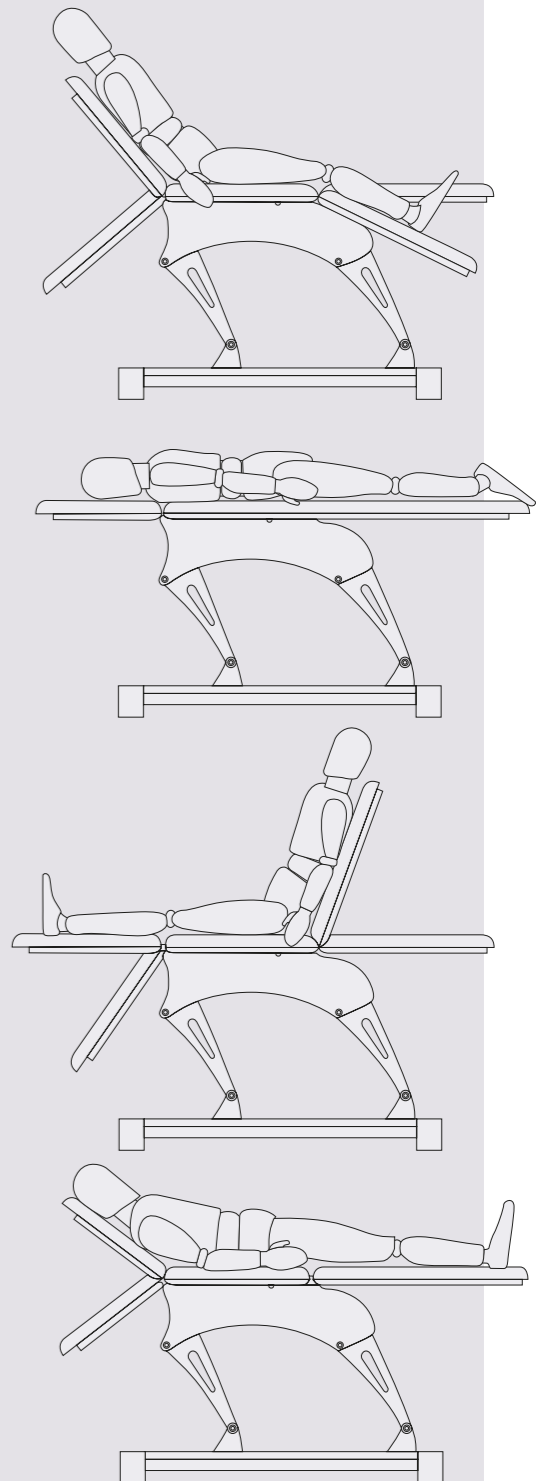
Vera M3

Professional examination table with adjustable height

Solid and functional 3-section table suitable for a wide range of techniques in manual therapy, massage, and diverse examination procedures.

Features

- Stable, safe and functional chassis.
- Motorised height regulation 53-95 cm.
- Multifunction foot control with automatic zero position.
- Piston controlled adjustable headrest.
- Ergonomic opening for the face in head support.
- Piston controlled adjustable leg support.
- High density foam upholstery.
- Steel structure in high gloss finish.
- Maximum lifting capacity: 220 kg.
- Wide range of accessories.
- Optimum designed base allowing ease of access from any angle.





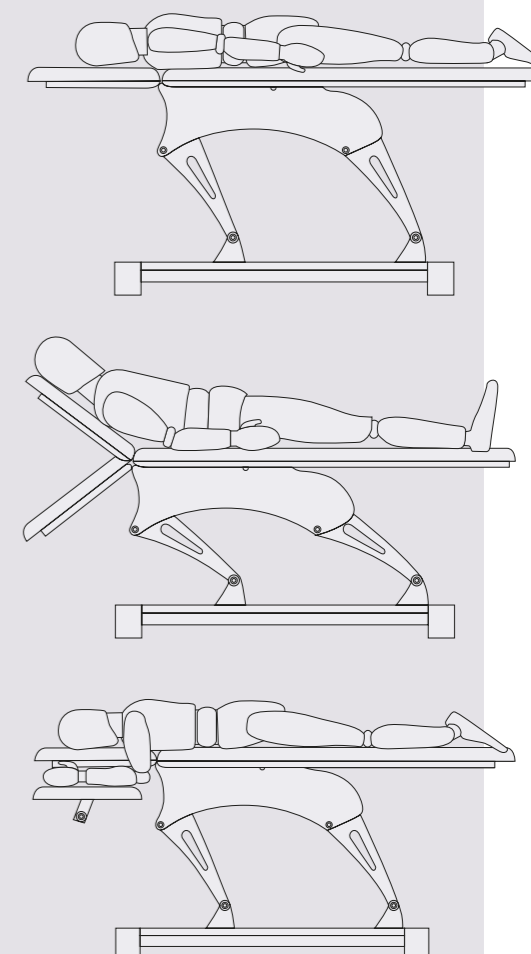
Vera M6

Professional massage treatment table with adjustable height

M6 is a fully equipped table designed for use in all types of massage and physiotherapy treatments. The retractable lateral supports allow professionals to get closer to the patient and apply greater force during treatments.

Features

- Stable, safe and functional chassis.
- Motorised height regulation.
- Multifunction foot control with automatic zero position.
- Piston controlled adjustable headrest.
- Headrest in 3 section with opening for face.
- Piston controlled adjustable leg support.
- Removable arm rests.
- High density foam upholstery.
- Steel structure in high gloss finish.
- Maximum lifting capacity: 220 kg.
- Wide range of accessories.
- Optimum designed base allowing ease of access from any angle.





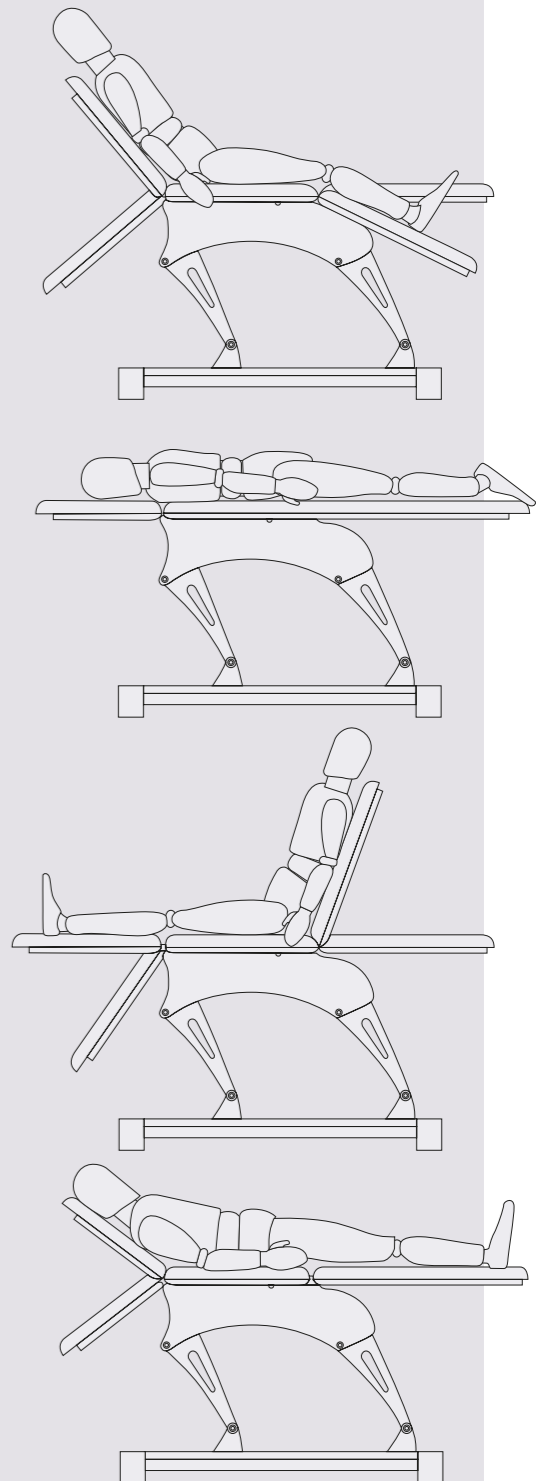
Vera T3

Professional massage treatment table with adjustable height

This 3-part treatment table combines functionality and design for your clinic. The adjustable headrest and leg support provide a versatile and practical solution for any type of therapy in a reclining, vertical, or sitting position.

Features

- Stable, safe and functional chassis.
- Motorised height regulation.
- Multifunction foot control with automatic zero position.
- Piston controlled adjustable headrest.
- Ergonomic, elongated opening for the face in head support
- Piston controlled leg support
- High density foam upholstery.
- Steel structure in high gloss finish.
- Maximum lifting capacity: 220 kg.
- Wide range of accessories.
- Optimum designed base allowing ease of access from any angle.





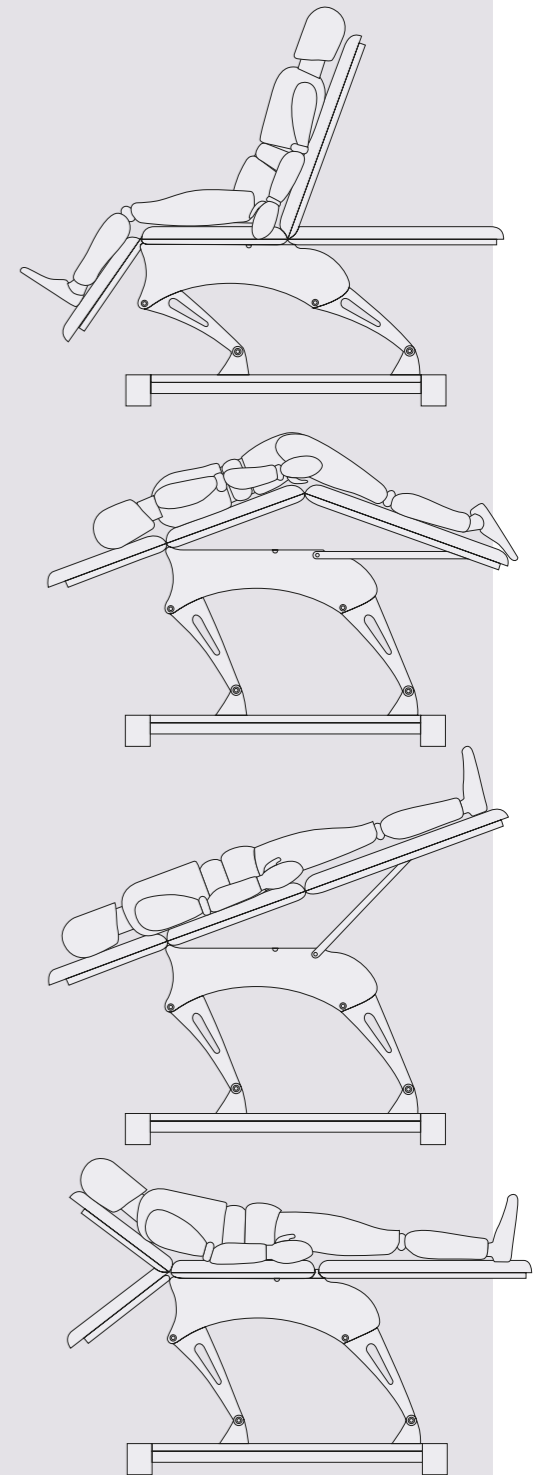
Vera TP3

Height adjustable treatment table with Trendelenburg

Sturdy and functional therapy and treatment table in 3-sections. Suitable for different positions: sitting, supine, lumbar manipulation techniques, and Trendelenburg position

Features

- Stable, safe and functional chassis.
- Motorised height regulation.
- Multifunction foot control with automatic zero position.
- Piston controlled adjustable headrest.
- Elongated opening for face in head rest.
- Piston controlled adjustable leg support.
- Piston controlled adjustable middle section with Trendelenburg position.
- High density foam upholstery.
- Steel structure in high gloss finish.
- Maximum lifting capacity: 220 kg.
- Wide range of accessories.
- Optimum designed base allowing ease of access from any angle.





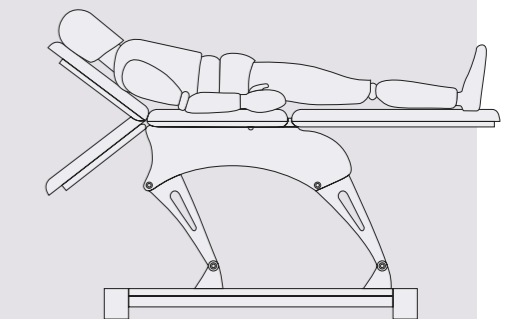
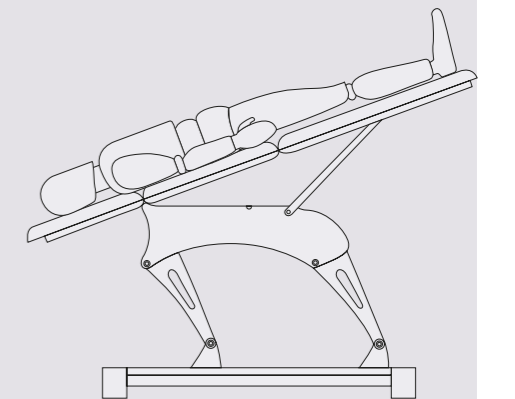
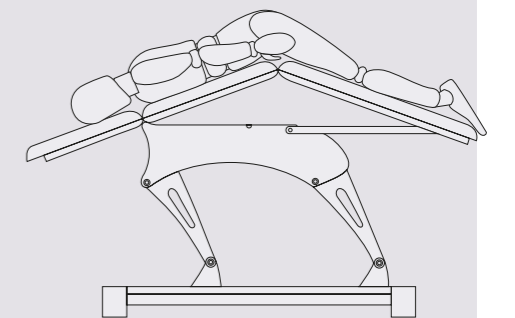
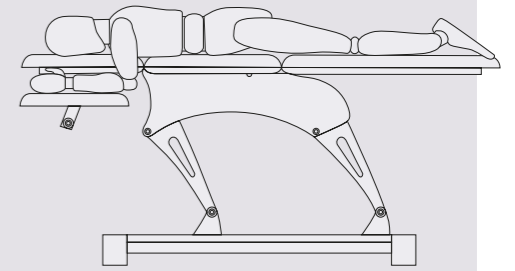
Vera TP5

Height adjustable treatment table with Trendelenburg

TP5 is a treatment table designed specifically for therapists who work with spinal cord treatments and other specialized fields.

Features

- Stable, safe and functional chassis.
- Motorised height regulation.
- Multifunction foot control with automatic zero position.
- Piston controlled adjustable headrest.
- 3 part head rest with elongated opening for face.
- Piston controlled adjustable leg support.
- Piston controlled adjustable middle section with Trendelenburg position.
- High density foam upholstery.
- Steel structure in high gloss finish.
- Maximum lifting capacity: 220 kg.
- Wide range of accessories.
- Optimum designed base allowing ease of access from any angle.



Ergonomics and unlimited comfort

The adjustable movements ensure ergonomic work in any treatment position



E2

EP2

E3

M2

M3

M6

T3

TP3

TP5

Technical details

Number of motors	1	1	1	1	1	1	1	1	1
Power connection	100-240 VAC	100-240 VAC	100-240 VAC	100-240 VAC	100-240 VAC	100-240 VAC	100-240 VAC	100-240 VAC	100-240 VAC
Frequency	50 / 60 Hz	50 / 60 Hz	50 / 60 Hz	50 / 60 Hz	50 / 60 Hz	50 / 60 Hz	50 / 60 Hz	50 / 60 Hz	50 / 60 Hz
Watt	150 W	150 W	150 W	150 W	150 W	150 W	150 W	150 W	150 W
Standby power	Approx. 0.5 W	Approx. 0.5 W	Approx. 0.5 W	Approx. 0.5 W	Approx. 0.5 W	Approx. 0.5 W	Approx. 0.5 W	Approx. 0.5 W	Approx. 0.5 W
Home position button	✓	✓	✓	✓	✓	✓	✓	✓	✓
Sections	2	2	3	2	3	6	3	3	5
Warranty	5 years	5 years	5 years	5 years	5 years	5 years	5 years	5 years	5 years
Colors	18	18	18	18	18	18	18	18	18

Movements

Height adjustment	Electrical	Electrical	Electrical	Electrical	Electrical	Electrical	Electrical	Electrical	Electrical
Head rest adjustment	Gas spring	Gas spring	Gas spring	Gas spring	Gas spring	Gas spring	Gas spring	Gas spring	Gas spring
Leg rest adjustment	X	X	Gas spring	X	Gas spring	X	Gas spring	Gas spring	Gas spring
Trendelenburg	X	Gas spring	X	X	X	X	X	Gas spring	Gas spring
Armrest	X	X	X	X	X	Adjustable	X	X	Adjustable

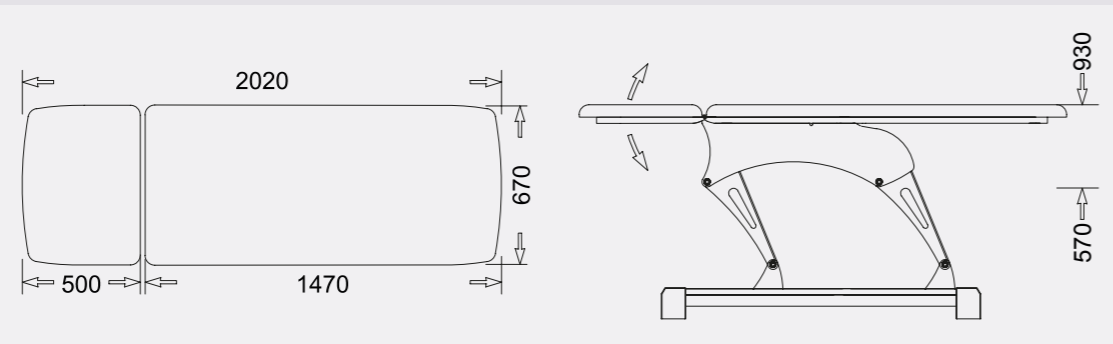
Weights

Lifting capacity	220 Kg	220 Kg	220 Kg	220 Kg	220 Kg	220 Kg	220 Kg	220 Kg	220 Kg
Table Weight	77 Kg.	78 Kg.	79 Kg.	76 Kg.	78 Kg.	80 Kg.	79 Kg.	79Kg.	82 Kg.

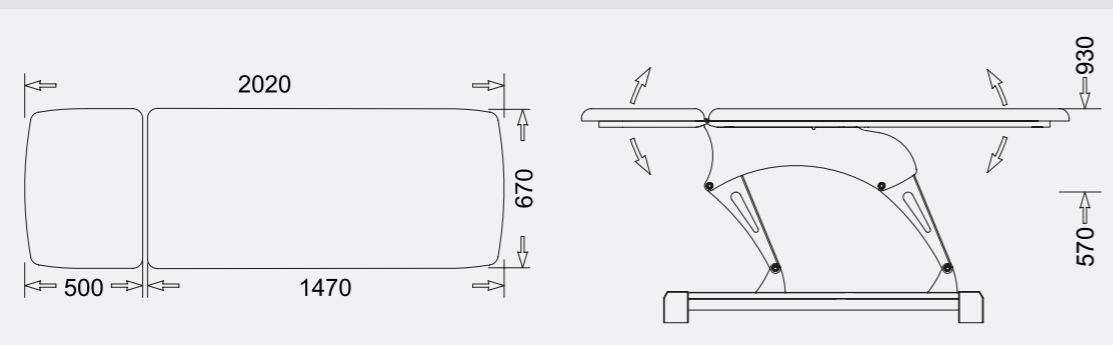
Vera Dimensions and Measures



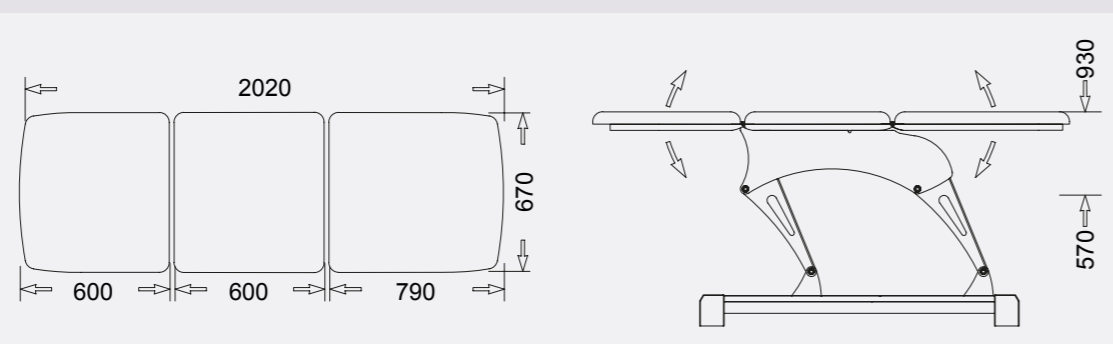
E2



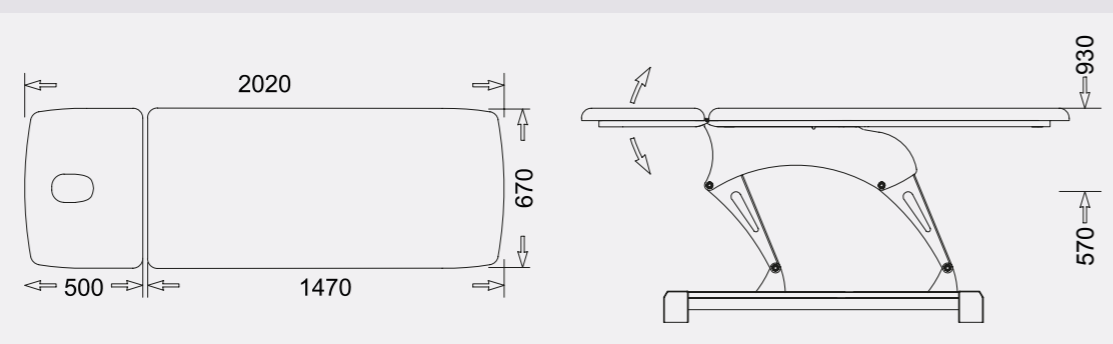
EP2



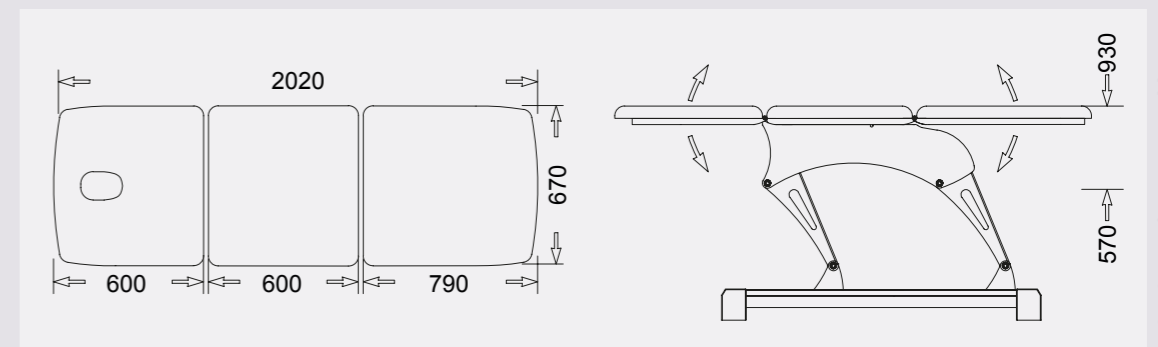
E3



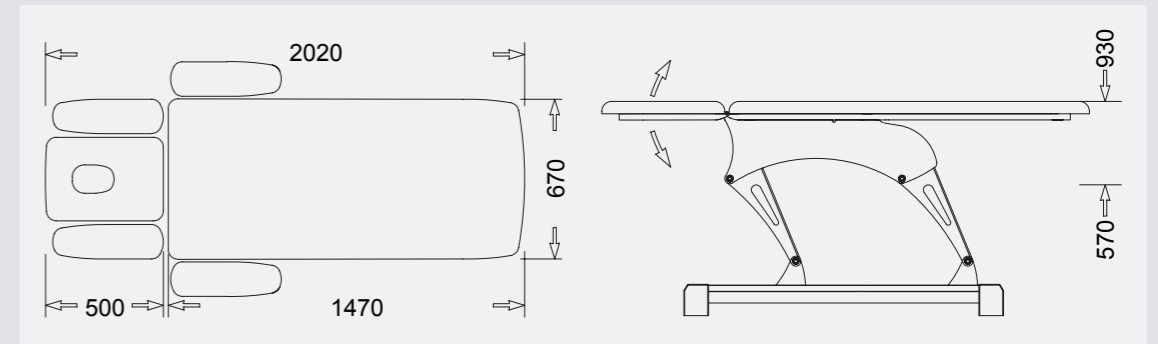
M2



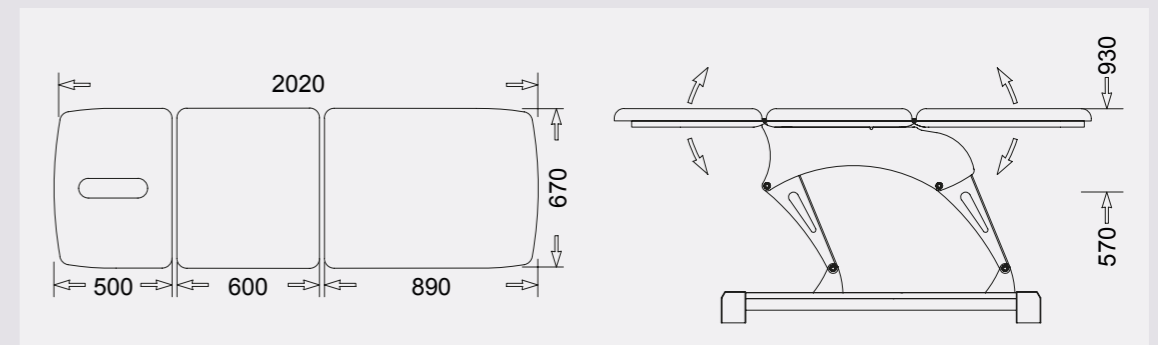
M3



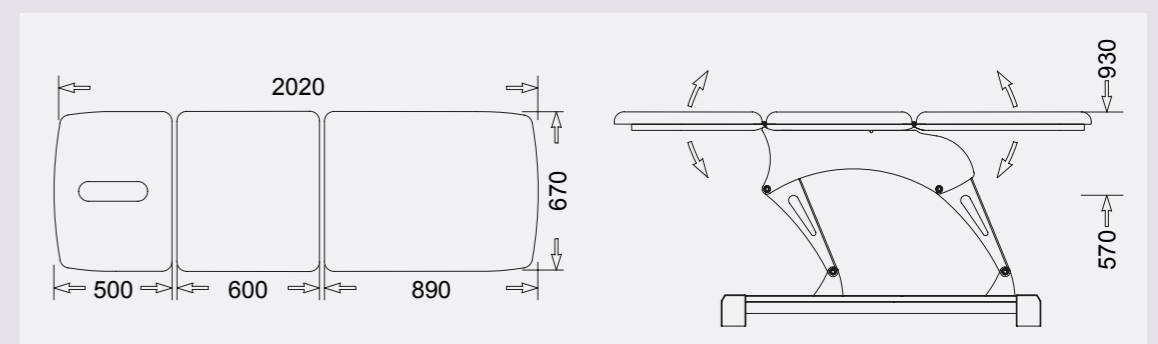
M6



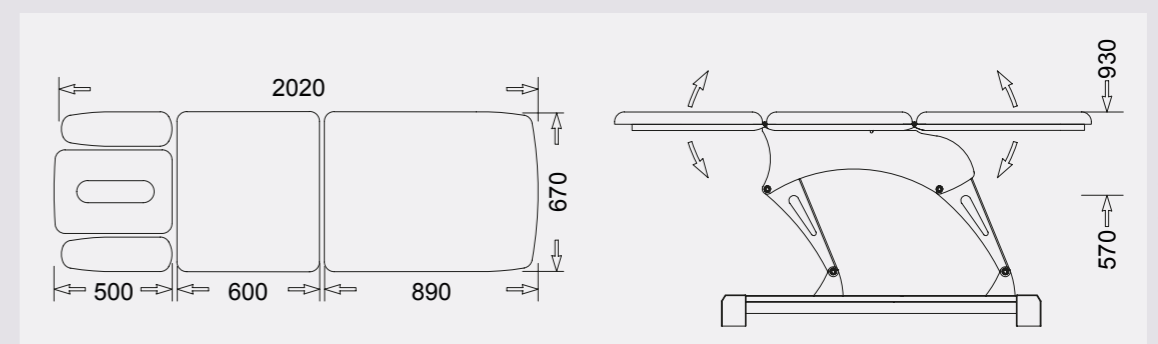
T3



TP3



TP5





Ideal cover for intensive use

High quality skai® material with fine calf leather grain and subdued matte-gloss-effect.
 Disinfectant resistant.
 Fulfills medical standard DIN EN ISO 10993-5+10.
 Long-lasting.
 Easy to clean.
 Tear resistant.
 Blood- and urine resistant .

Stability and durability

Sturdy, reinforced steel chassis provides dynamic stability that reacts to any sudden weight changes caused by either the patient or practitioner during treatment.



High Performance and Control

Low-noise durable and powerful actuators, with high speed/ high performance and mechanical endstop for first failure safety. This makes it the right choice for the future.

STABILUS Variable Positioning

A special piston / valve system, which separates the two pressure chambers in the spring, allows effortless movement and locking.

Details make the difference

Passion for Quality Made in Spain.

It's just a small thing that most people wouldn't notice, but it's a detail worth noting in the quest for outstanding quality and durability.



Highlights



Confort

Combining both maximum comfort and support, this treatment table features extra thick foam finished in high-quality vinyl upholstery, providing smooth, silent, and reliable electrical movements. The practical width of the upholstery is 100%.



Hygiene

All exposed parts are easily cleaned, and being upholstered in SKAI® allows for easy cleaning and disinfection.



Safety

The sturdy and reinforced steel chassis offers dynamic stability that responds to sudden weight changes caused by the patient or the practitioner during treatment. The self-lubricating, cushioned bearings not only enhance the durability of the table but also provide a smooth operation.



Accessibility

The H-shaped frame design provides maximum accessibility during treatments, with a 53 cm floor-to-table distance for easy patient access.

Vera Optional Accessories



Autoblock

Mechanized centralized locking system with 4 double rotation castors allows for easy maneuverability over short distances with 50mm wheels.



Hand Switch

Sensitive and very easy to use control (Optional).



Face hole plug

Provides support and comfort when the treatment requires.



Paper Roll Holder

Ergonomic paper support, easy to fix paper (maximum length 50cm - Ø 12,5 cm)

Dama & Sena



Ideal for any
treatment

Treatment Chairs

Give your
patients the
highest possible
comfort and a
treatment with
the best results

Picture: Dama



Dama

Design, Reliability and Comfort

Treatment beds are an essential part of a practice and should be the focal point of every clinic.

More than just a necessary piece of equipment, Dama represents an investment in quality, technology, and comfort to your patients. It's the opportunity for your clinic to enhance efficiency and expand treatment solutions, differentiating your practice and clearing the way for profit growth.

Design: The design features are augmented by a highly original color concept. This means that you can explore new avenues in interior design and harmoniously integrate the Dama treatment chair into your clinic. So let yourself be inspired and select your combination.

Reliability: 100% made in Barcelona - Spain. The electronics with SMT technology and the base, seat, back support and leg support are backed up by low tension, silent and reliable equipment.

Comfort: The non-slip upholstery, soft padding and ergonomic lines have been designed to provide maximum comfort to the patient.





Sena

An attractive design with an excellent result

With Dama base the Sena multi-treatment chair offers a new dimension to work: reliability and efficiency at an affordable price.

Easy to operate, safe and economic functioning. This multi-treatment couch allows an easy, versatile work pattern.

Design, comfort and reliability are the main features of this SENA multi-treatment couch. The electronics with SMT (Surface Mounting Technology) and the base, seat, back support and leg support are backed up by low tension, silent and reliable equipment.

The non-slip upholstery, soft padding and ergonomic lines have been designed to provide maximum comfort to the patient.



Namrol multifunctional chairs have been designed for all types of beauty treatments, Dermatology, facials, body treatments, hair removal, make-up, tattoos and even massage.



Ideal for any treatment





Cushioned armrests synchronised with the back support, both retractable independently.



Sturdy and comfortable table position to offer a wide range of treatments.



Minimum height from the floor and removable armrests, ensure ease of access for the patient.

Ergonomics and unlimited comfort

The adjustable chair movements, ensure ergonomic working in any position of treatment.

What's your ideal model?

Technical details

	Dama 3	Dama 4	Sena 3	Sena 4
Ref.	SN-820E	SN-830E	SN-825E	SN-835E
Ref. with heating	SN-821E	SN-831E	-----	-----
Number of motors	3	4	3	4
Power connection	100-240 VAC	100-240 VAC	100-240 VAC	100-240 VAC
Frecuency	50 / 60 Hz	50 / 60 Hz	50 / 60 Hz	50 / 60 Hz
Watt	300 W	350 W	300 W	350 W
Standby power	Approx. 0.5 W	Approx. 0.5 W	Approx. 0.5 W	Approx. 0.5 W
Memories	2	2	2	2
Warranty	5 years	5 years	5 years	5 years
Two-tone colors	✓	✓	x	x
Standard color	18	18	white	white

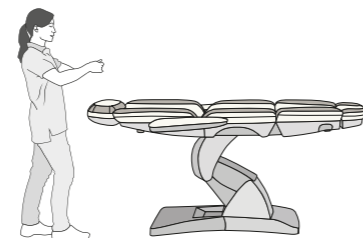
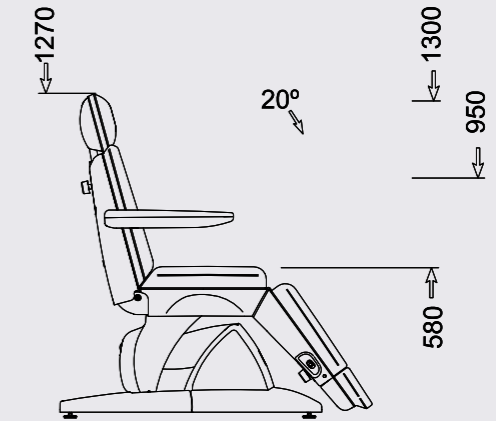
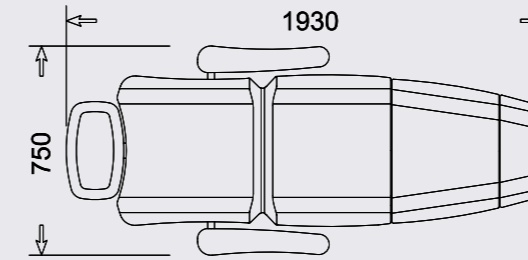
Movements

Height adjustment	Electrical	Electrical	Electrical	Electrical
Tilt adjustment	Electrical	Electrical	Electrical	Electrical
Back adjustment	Electrical	Electrical	Electrical	Electrical
Legrest adjustment	Gas spring	Electrical	Gas spring	Electrical
Link legrest and backrest	✓	Memories	✓	Memories

Weights

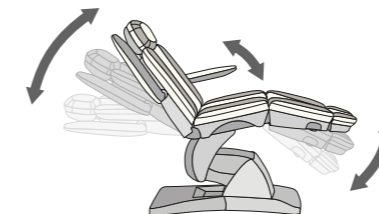
Lifting capacity	220 Kg	220 Kg	220 Kg	220 Kg
Chair Weight	80 Kg.	82 Kg.	82 Kg.	82 Kg.

Dimensions



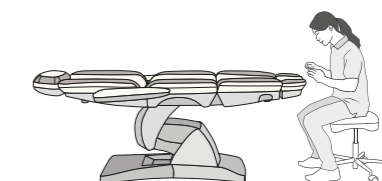
Standing treatment

Maximum height of 95 cm allows you to work standing if desired.



Up to 4 motors

Powered base, back and tilt for effortless positioning.



Seated treatment

Patented anti tip system helps to prevent movement when the patient enters or exits the chair.



Ideal cover for intensive use

High quality skai® material with fine calf leather grain and subdued matte-gloss-effect. Disinfectant resistant. Fulfills medical standard DIN EN ISO 10993-5+10. Long-lasting. Easy to clean. Tear resistant. Blood- and urine resistant.



SENOSAN

High quality material made of ABS + PMMA.

White coextruded multi-layer composite sheet with a brilliant surface of sanitary acrylic. High chemical resistance, high impact strength, long durability and off course recyclable.



High Performance and Control

Low-noise durable and powerful motors, with high speed/ high performance and mechanical endstop for first failure safety. This makes it the right choice for the future.



STABILUS

Variable Positioning

A special piston / valve system, which separates the two pressure chambers in the spring, allows effortless movement and locking.

Details make the difference

Passion for Quality Made in Spain.

It's just a small thing that most people wouldn't notice, but it's a detail worth noting in the quest for outstanding quality and durability.



Highlights



Extendible Head Support

Head support is adjustable both in angle and height, keeping the head steady and a correct position.



Hands free operation

The foot switch is your multifunctional control element for all chair functions. Include home position and two memory positions that you customize to your needs.



Extendible Leg Support

Split extendible legrest, easy to position allows quick and easy adjustments.



Syncro

The legrest raises and lowers in accordance with the backrest. This synchronised movement means the patient is comfortable while the backrest is being adjusted. The Trendelenburg is an asset for safety and comfort.

Dama Optional Accessories



Massage Headrest

Massage cushion can be easily swapped with the standard headrest in just a few seconds. The 3D adjustment feature allows for a better and more comfortable position.



Thermo heating system

Chair heating system with 3 temperature settings. The chair heating is especially pleasant for the client, and also energy saving, because the temperature in the salon can be set a few degrees lower. (Option not valid for Sena)



Paper Roll Holder

Placed at the rear part of the backrest with quick swap of paper rolls. (max. roll length 60 cm, Ø 12,5 cm)



Manicure Bowl

Manicure bowl with ergonomic support.

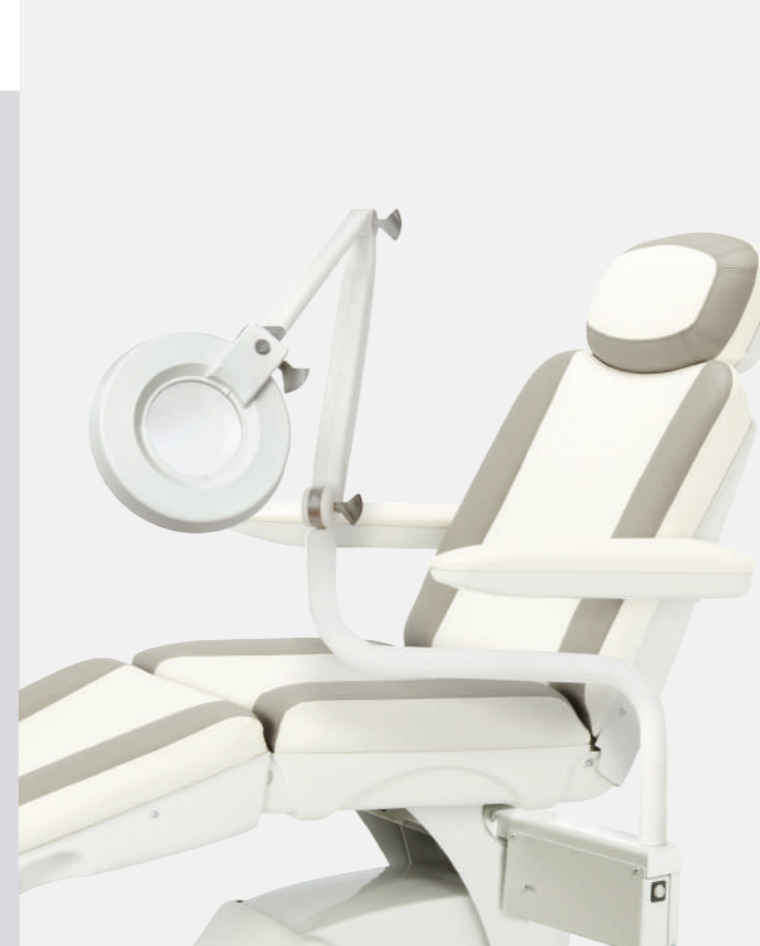
Dama

Optional Accessories



Protection Screen

Protection screen can be attached to either side of the chair.



Magnifying lamp support

Chair side mount magnifying lamp support. Synchronized raising and lowering movement with the chair.



Scalytic lamp support

Chair side mount scalytic lamp support with synchronized raising and lowering movement with the chair.



Castors Set

Locking casters provide mobility without sacrificing valuable floor space. Castors add 3 cm. to the minimum seat height.



Protective Cover

Keeps your chair looking clean and new, protecting the upholstery from the rigors of frequent cleaning.



Hand control

The Dama handset has an ergonomic design and size, featuring large buttons that blend together to create a user-friendly device. It also includes a hook for placement on the bed.



Wireless Foot Control

Enjoy the freedom of locating the foot control anywhere in the room. Remove cords and eliminate obstacles.

Lena Tricobed Gyneris Prisma

The most
essential piece
of equipment in
your practice

Examination & Treatment Chairs





Lena

Mobile, stable, and secure.

Ideal for Dialysis, Chemotherapy or Blood Sampling.

Namrol introduces a new line of state-of-the-art therapy couches for dialysis treatment. The innovative design is based on the latest healthcare research and direct feedback from dialysis centers worldwide.

Patient comfort, ergonomic design, and efficiency are the top priorities of this new generation of therapy couches. The couches are engineered to provide a comfortable experience for extended haemodialysis sessions while maintaining a high level of hygiene.

They feature advanced motorised movements with 4 motors to quickly and seamlessly adjust to the required positions, while the flexible and patient-friendly armrests provide superior ergonomic support in different positions.

LENA 4 motors dialysis chair delivers exceptional comfort for sitting or lying down in any position. It effortlessly transitions between sitting, relaxing, sleeping, and even emergency Trendelenburg positions, thanks to its swift and seamless button-operated movements.

The Namrol design approach simplifies the process of adjusting the powerful motors, which can reposition the backrest, seat, leg section, and footrest, as well as raise or lower the chair's starting height from 54 cm, making it an easy-to-use option for both caregivers and patients.



Comfort, ergonomics and functionality

Lena encapsulates the best solution in ergonomics and mobility to meet the high expectations of the patient and the healthcare professional.



Bed Position



Sitting Position



Trendelenburg



Relax Position

Lena 4

Technical details

Reference	SN-888
Number of motors	4
Power connection	100-240 VAC
Frequency	50 / 60 Hz
Watt	350 W
Standby power	Approx. 0.5 W
Memories	2
Warranty	5 years

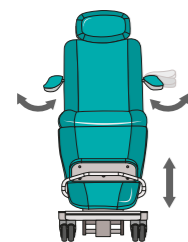
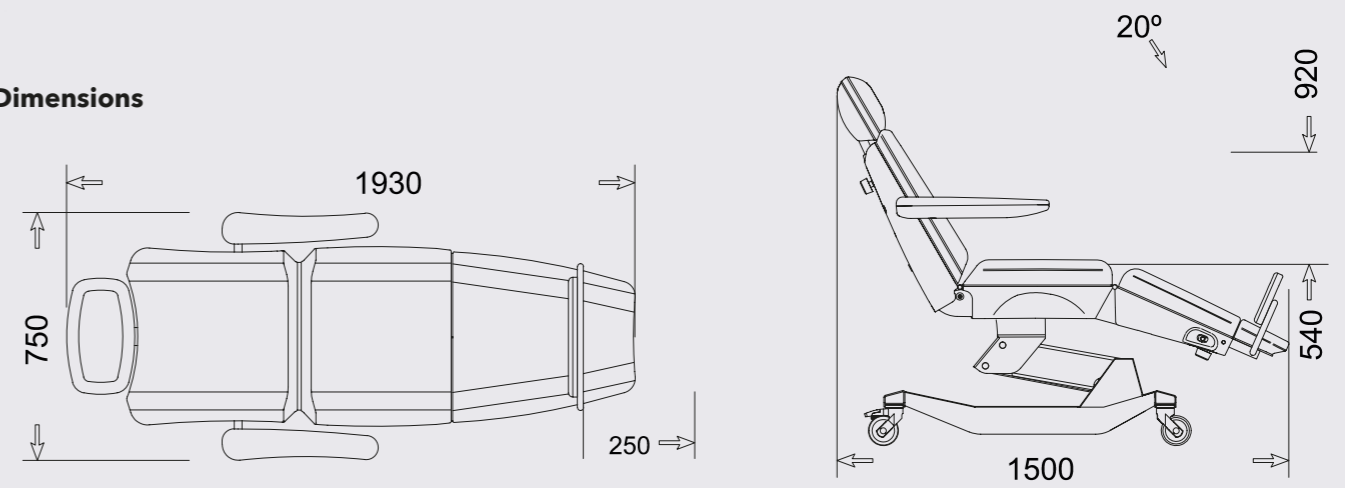
Movements

Height adjustment	Electrical
Seat adjustment	Electrical
Backrest adjustment	Electrical
Legrest adjustment	Electrical
Footrest adjustment	Manual

Weights

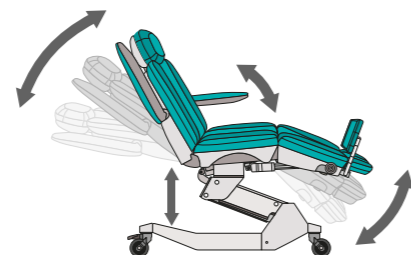
Lifting capacity	220 Kg
Weight	82 Kg.

Dimensions



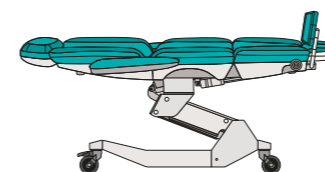
Positions

Footrest with length adjuster and armrest with individual positioning.



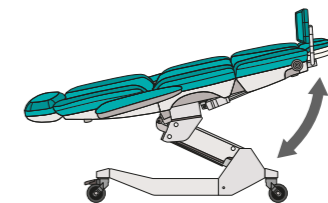
4 motors

Powered base, back and tilt for effortless positioning.



Bed Position

Anatomical backrest with low hardness foam, for comfortable and relaxed position.



Trendelenburg

The Trendelenburg and shock positions can be saved in 1 memory setting for quick access and easy positioning.

Lena Optional Accessories



Infusion holder

Effortlessly organize and access infusion supplies with our integrated infusion holder.



Thermo heating system

Chair heating system with 3 temperature settings. The chair heating is especially pleasant for the client, and also energy saving, because the temperature in the salon can be set a few degrees lower.



Paper Roll Holder

Placed at the rear part of the backrest with quick swap of paper rolls. (max. roll length 60 cm, Ø 12,5 cm)



USB Charger

Charge any USB device directly from your Lena chair.



Foot rest cover

Ensures that your footrest remains clean and free from scratches or damage.



Tricobed

Maximum versatility

The Tricobed is a unique procedure chair designed for aesthetic procedures, lengthy hair transplant operations or head and neck area treatments.

Designed to provide unobstructed access to the patient's head and neck area, this tool is aimed at professionals who seek the best in contemporary design and the latest technology. It allows the professional to excel in their practice.

The main tool of your practice is upholstered in treated polyurethane with high-density padding, providing exceptional comfort and durability.

The three motors, home position, and two fully programmable memory settings allow for customized positioning and height adjustments.

These movements enable professionals to work in complete comfort. The upholstered armrests can be raised and lowered in synchronization with the backrest, and are independently retractable.



Tricobed Optional Accessories



Face headrest with 3D movements

Easily swapped with the standard headrest in just a few seconds. The 3D adjustment reaches a better and more comfortable position.



Magnifying lamp support

Chair side mount magnifying lamp support. Synchronized raising and lowering movement with the chair.



Scalytic lamp support

Chair side mount surgical lamp support. Synchronized raising and lowering movement with the chair.



Thermo heating system

Chair heating system with 3 temperature settings. The chair heating is especially pleasant for the client, and also energy saving, because the temperature in the clinic can be set a few degrees lower.



Round headrest

Designed to provide a comfortable and relaxed position for patients during procedures. Its unique design allows for easy adjustments and features a soft, supportive cushion.



Castors Set

Locking casters provide mobility without sacrificing valuable floor space. Casters add 3 cm. to the minimum seat height.



Hand control

The Tricobed handset has an ergonomic design and size and features large buttons all blending in to a user-friendly handset. Hook for placement on the bed.



Paper Roll Holder

Placed at the rear part of the backrest with quick swap of paper rolls. (max. roll length 60 cm, Ø 12,5 cm)

Ergonomics and unlimited comfort

The adjustable chair movements, ensure ergonomic working in any position of treatment.



Sturdy and comfortable table position to offer a wide range of treatments.



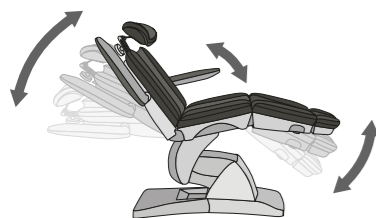
With a well thought out upholstery and a back support of ample width for patients shoulders, maximum comfort is achieved.



Minimum height from the floor and removable armrests, ensure ease of access for the patient.



Cushioned armrests synchronised with the back support, both retractable independently.



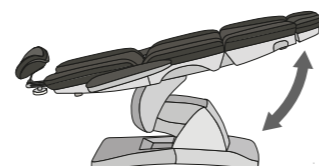
Posición

Powered base, back and tilt for effortless positioning.



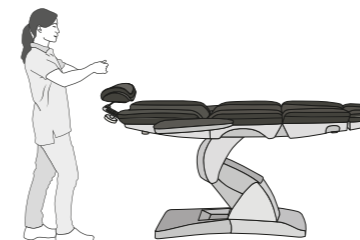
Antitip

The anti-tip system helps prevent movement when the patient enters and exits the chair, or during the treatment.



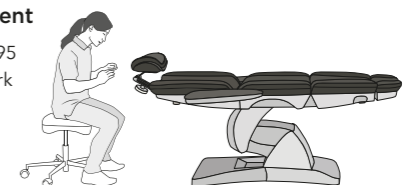
Trendelenburg

The Trendelenburg is an asset for safety and comfort.



Standing treatment

Maximum height of 95 cm allows you to work standing if desired.



Seated treatment

Small base footprint which takes up less space in treatment room.

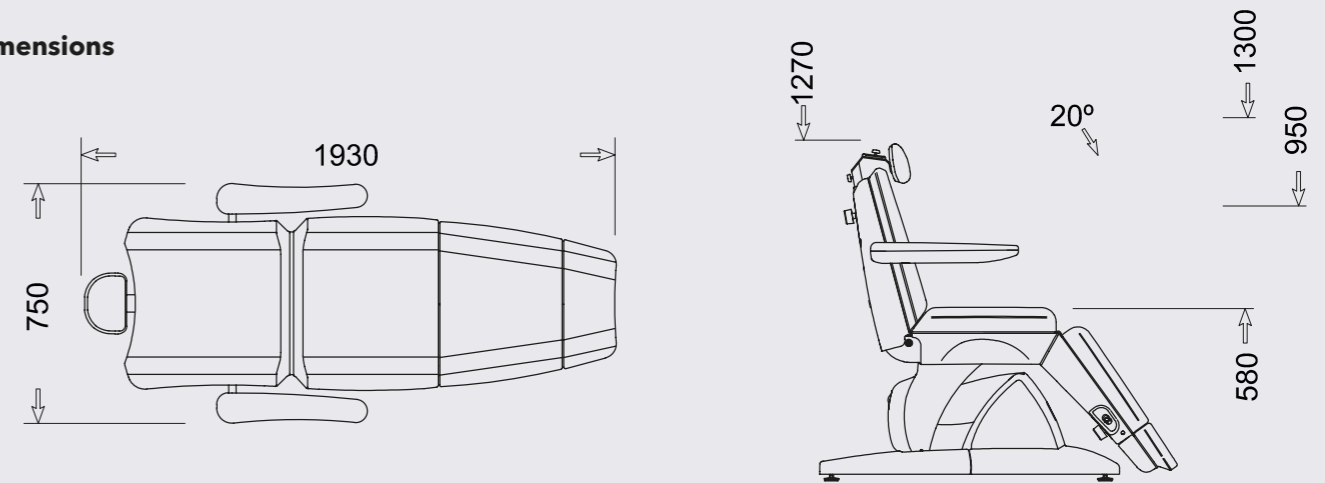
What's your ideal Tricobed?

Technical details	Tricobed 3	Tricobed 4
Ref.	SN-837	SN-897
Number of motors	3	4
Power connection	100-240 VAC	100-240 VAC
Frecuency	50 / 60 Hz	50 / 60 Hz
Watt	300 W	350 W
Standby power	Approx. 0.5 W	Approx. 0.5 W
Memories	2	2
Warranty	5 years	5 years
Standard color	18	18

Movements	Tricobed 3	Tricobed 4
Height adjustment	Electrical	Electrical
Tilt adjustment	Electrical	Electrical
Back adjustment	Electrical	Electrical
Legrest adjustment	Gas spring	Electrical
Link legrest and backrest	✓	Memories

Weights	Tricobed 3	Tricobed 4
Lifting capacity	220 Kg	220 Kg
Weight	82 Kg.	82 Kg.

Dimensions





Gyneris

Advanced features and optimal functionality

The Gyneris stands out as a superior option in its class due to its exceptional combination of optimized functionality, first-rate comfort, and elegant design. It was designed to establish new benchmarks for daily medical practice and clinical applications.

With Gyneris at the center of your practice, you can provide your patients with better examinations. The innovation class offers every option for a modern, integrated workflow, with high comfort for both the professional and patient, resulting in superior results. With Gyneris, you can concentrate entirely on your patients, as the chair allows for fast and easy patient positioning. Its stepless electrical adjustment feature enables quick attainment of various examination positions.

The chair is upholstered in treated polyurethane and has high-density padding for great comfort and durability. It features 3 motors, automatic memory reset, and is completely programmable, allowing it to assume any position and height. Due to these movements, professionals can carry out their work in complete comfort. The retractable footrest allows patients to feel entirely comfortable during the examination.

Investing in the Gyneris chair means investing in the well-being of your patients and the efficiency of your practice. Upgrade to our innovation class and experience the ultimate in examination comfort, convenience, and quality.



Functionality, safety and reliability

Chair for gynecological examination, that provide optimal functionality, safety and reliability during the examination.



Horizontal positioning for ultrasound examination. It allows for space saving in the clinic and reduces examination time.



Upholstered armrests with raising/lowering synchronised with backrest, independently retractable.



Adjustable positions and large work surface that allows the professional to carry out examination in a comfortable way.



Its low starting height of 530 mm makes it perfect for getting on conveniently and easily without a mounting step.

Gyneris

Technical details

Reference	SN-870E
Number of motors	3
Power connection	115-230 VAC
Frequency	50 / 60 Hz
Watt	120 W
Standby power	Approx. 0.5 W
Memories	2
Warranty	5 years
Colors	18

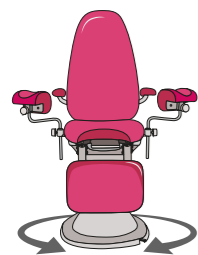
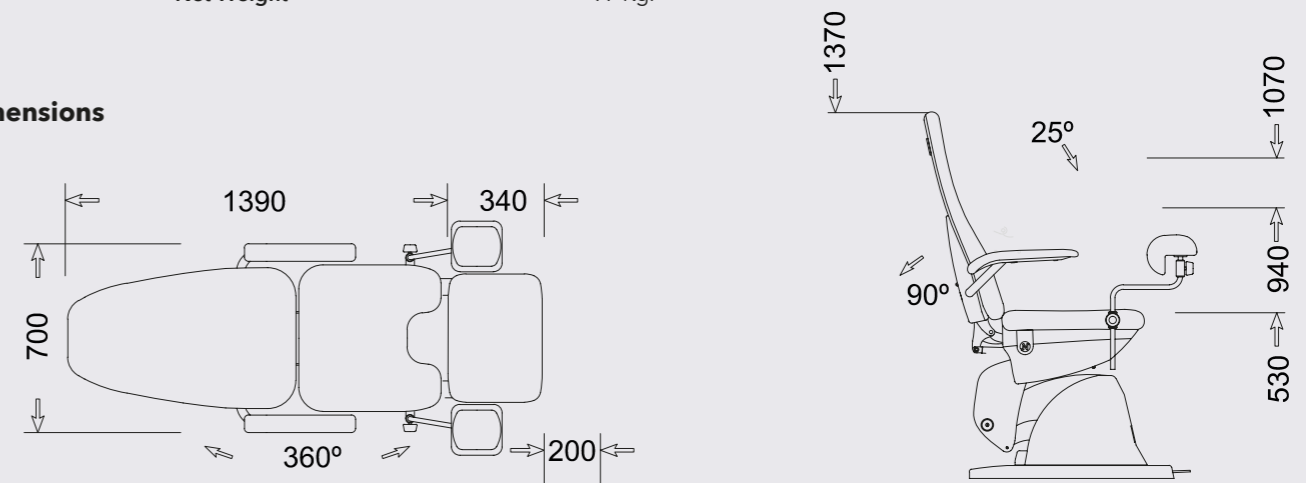
Movements

Height adjustment	Electrical
Seat adjustment	Electrical
Back adjustment	Electrical
Legrest adjustment	Gas spring

Weights

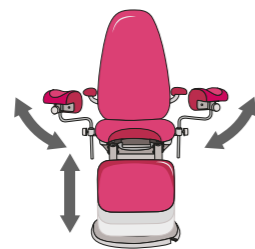
Lifting capacity	220 Kg
Net Weight	97 Kg.

Dimensions



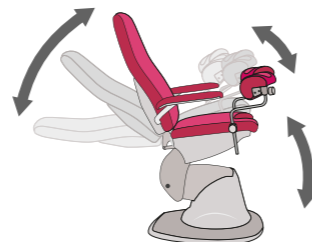
Base

360° rotation on base enabling different working positions.



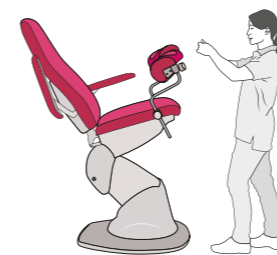
Leg supports

Extendable and foldable legrest.



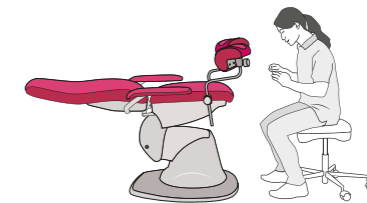
3 motors

Motorised base, back and tilt for effortless positioning.



Standing exam

Maximum height of 145 cm allows you to work standing if desired.



Seated exam

Small base footprint which takes up less space in treatment room.

Gyneris Optional Accessories



Headrest Cushion

Designed with high-quality materials and maximum patient comfort in mind.



Legrest

Retractable leg rests with shock absorber for a greater comfort in recline position.



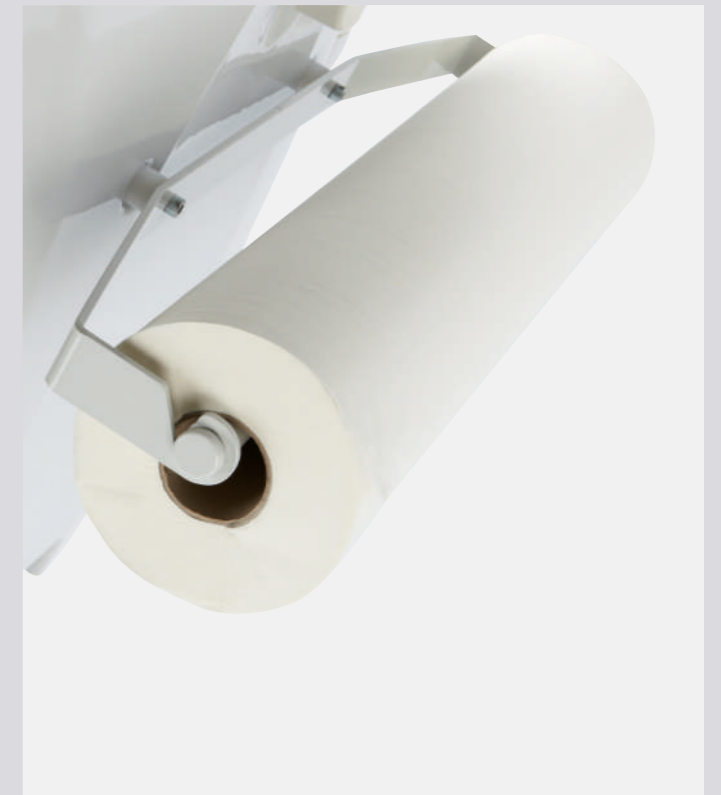
Support Tray

Support tray with moveable arm, to hold instruments and equipment. Dimensions: 37x28 cm load: 25kg .



Hand control

The Gyneris handset has an ergonomic design and size and features large buttons all blending in to a user-friendly handset. Hook for placement on the chair.



Paper Roll Holder

Placed at the rear part of the backrest with quick swap of paper rolls. (max. roll length 60 cm, Ø 12,5 cm)



Prisma

Design and versatility, the principal features

Multifunctional chair suitable for a wide range of uses such as diagnosis, examination, orthodonty, blood analysis, dermatology.

Our examination chair is the ideal partner for doctors and patients alike. Its smooth, electrically-controlled movements, combined with treated, high-quality polyurethane, offer comfort and durability that are essential in a medical setting.

This chair is the main tool of your practice, with its high-density padding upholstered in treated polyurethane that provides both comfort and durability. Its three motors, automatic memory reset, and fully programmable positions allow for flexibility and customization to fit the needs of both the patient and the professional. This makes it easy for the clinician to perform their work with complete comfort, while also ensuring that the patient is comfortable throughout the examination process.

The retractable footrest is another feature that sets our examination chair apart, providing patients with additional comfort during their examination. This feature ensures that patients are able to fully relax during their examination, which can be especially important in certain medical procedures.

Overall, our examination chair is a reliable and versatile tool that can help medical professionals provide the highest level of care to their patients.



Versatility, functionality and ergonomics

With its exhaustive design, it provides a versatile solution for a wide range of work and useful in treatments that require the patient to remain in a set position.



Anatomic lumbar backrest for a relaxing and comfortable examination which helps save space in the clinic and reduce examination time.



Ample leg support with piston controlled elevation.



Upholstered armrests synchronised with the adjustment of the backrest (both can be let down independently).



Minimum height from the floor and removable armrests, ensure ease of access for the patient.

Prisma

Technical details

Reference	SN-885E
Number of motors	3
Power connection	100-240 VAC
Frequency	50 / 60 Hz
Watt	350 W
Standby power	Approx. 0.5 W
Memories	2
Warranty	5 years

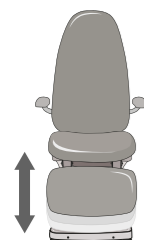
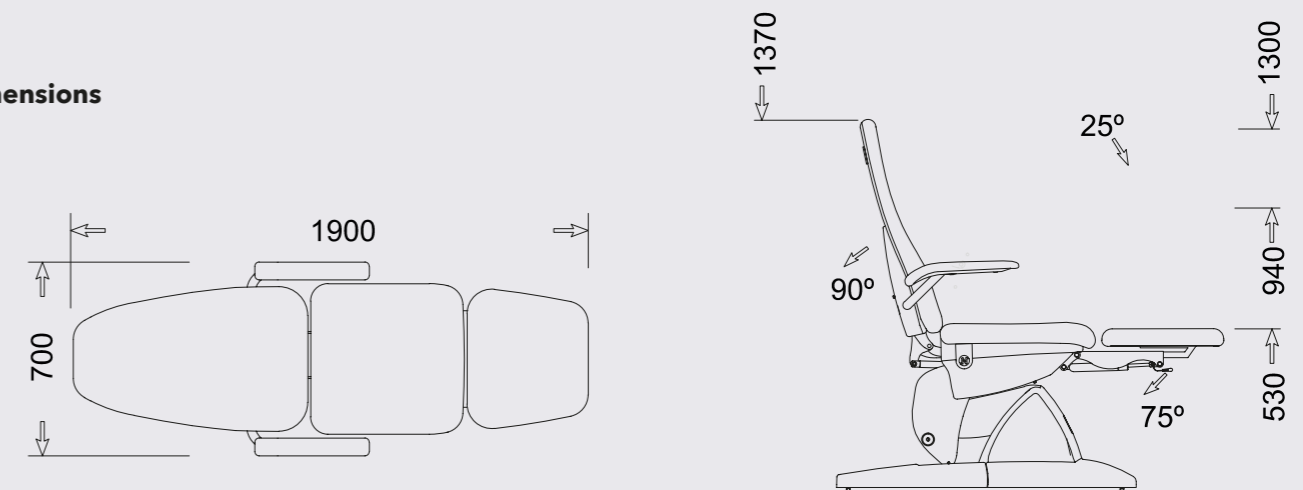
Movements

Height adjustment	Electrical
Seat adjustment	Electrical
Back adjustment	Electrical
Legrest adjustment	Gas spring

Weights

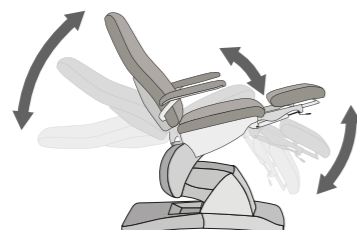
Lifting capacity	220 Kg
Weight	95 Kg.

Dimensions



Legrest

Extendable and foldable legrest.



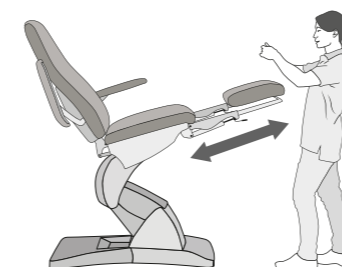
Positions

Multiple movements to achieve the perfect position for each treatment.



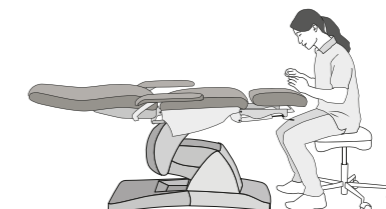
Antitip

Patented anti tip system helps to prevent movement when the patient enters or exits the chair.



Standing treatment

With a maximum height position of 130 cm, you can also work standing up.



Seated treatment

The compact design of the base provides more legroom.



Podiatry Chairs & Equipment

Namrol is shaping the future of professional podiatry equipment.

All research begins with a consideration of history, and in the case of our podiatry chairs, we take pride in the design elements that have remained unchanged since our 1995 model. These features have made Namrol chairs distinctive and recognized throughout the industry.

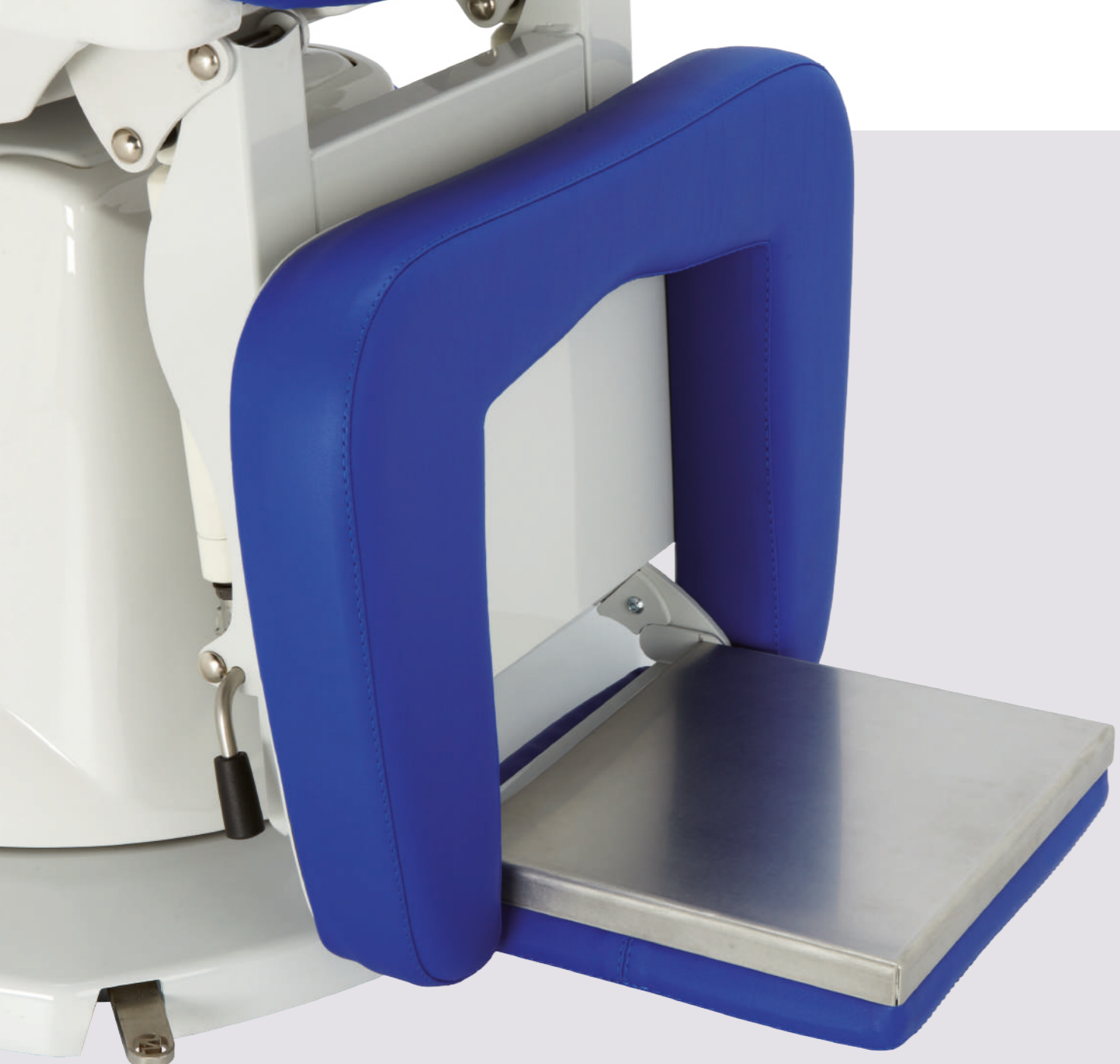
We offer a wide range of podiatry chairs and equipment that cater to the needs of every podiatry practice. Our selection includes comfortable and durable podiatry chairs, treatment units, ergonomic stools, high-quality lighting systems, and other essential equipment for foot care professionals. Whether you are starting a new clinic or upgrading your existing facility, we have the right tools and equipment to support your practice.



For more information about podiatry equipment visit:

www.namrol.com





ENT Chairs & Equipment

Namrol is shaping the future of professional ENT equipment.

Our company offers a comprehensive range of ENT (ear, nose, and throat) equipment to meet the diverse needs of specialists in this field. We provide a wide selection of high-quality chairs, examination units, lighting systems, surgical instruments, and other essential equipment for accurate ENT diagnosis, treatment, and surgery. Our products are designed with both patient and clinician comfort in mind, as well as providing accuracy and efficiency. Whether you're establishing a new practice or upgrading your current facility, we have the right ENT equipment to support your work and help you provide the best care for your patients.



For more information about ENT equipment visit:

www.namrol.com





New generation seats, a fusion of contemporary design with attention to essential ergonomic features. A properly supported back for the professional whilst carrying out his duties.

Stools

Ergonomic for ideal posture.

It's just a small thing that most people wouldn't notice, but it's a detail worth noting in the quest for outstanding quality and durability.



MONZA

Anatomic stool with half moon back rest, upholstered in SKAY, seamless easy to clean with piston controlled height regulation. Soft, double castors mounted on chrome finish, with 5 points of support. Colors can be matched to the range of colors for the treatment beds



COSMOS

Anatomic stool with backrest, upholstered in SKAY, seamless easy to clean with piston controlled height regulation. Soft double wheels mounted on a chrome finish with 5 support points. Colors can be matched to the range of colors for the treatment beds.



CORSA

Ergonomically designed stool to maintain proper posture, upholstered in SKAY seamless, easy to clean with piston controlled height regulation. Soft double wheels mounted on a chrome finish with 5 support points. Colors can be matched to the range of colors for the treatment beds.



CORSA - V

Very healthy, incredibly comfortable "Saddle seat" with backrest. It is possible to adjust the height of the stool through gas spring.



CORSA - L

Very healthy, incredibly comfortable "Saddle seat" with backrest. It is possible to adjust the height of the stool through gas spring.



MONZA - T

It is possible to adjust the height of the stool through gas spring.



Exclusive personality

High-quality skai® material with fine calf leather grain and subdued matte-gloss-effect. The very extensive and trend-orientated color spectrum enables many combinations.



	Long-lasting	✓
	Tear resistant	✓
	Easy to clean	✓
	Abrasion resistance	> 50.000
	Skin irritation and sensitivity ISO 10993-10	No reaction
	Cytotoxicity ISO 10993-5	Complies
	UV resistance	✓
	Composition	90% PVC-compound 10% knitted fabric
	Made in	Germany



The colour samples are indicative and not intended as an exact replica of the actual colour of the product.
The products are subject to modifications and improvements without previous notice.



UPHOLSTERY

Our senses enable us to appreciate quality and aesthetics. Our eyes register every nuanced colour hue. Our hands explore surfaces and textures.

It is this uncompromising perfection which turns Namrol upholstery into an experience for all the senses.





NAMRØL

C. Progrés, 24-26
08850 Gavà · Barcelona · Spain
www.namrol.com
export@namrol.com
Tel. : +34 93 637 47 47

Distributed by

